

# Type of connectors 2RM, 2 RMT



## Application

They are used in radio electronic and radio engineering equipment as connectors of the general type.

## Standarts

OST V 110121-91  
NESC.434413.001 Specification

## Design description

- screw mating
- climatic version V

- contacts plating: silver, gold
- contact - removable
- mounting method: crimping

## Characteristics

### Mechanical

vibration:

frequency range, Hz - 1...1000  
acceleration,  $m/s^2$  - 490 (50g)

single impacts:

acceleration,  $m/s^2$  - 5000 (500g)

multiple impacts:

acceleration,  $m/s^2$  - 1000 (100g)

linear loads:

acceleration,  $m/s^2$  - 2000 (200g)

### Reliability requirements

minimum operating time, h  
1000

with mate-unmate operations  
500

minimum storage life, years  
25

### Electric

maximum operating voltage, (amplitude value), not more than  
560 V

operating current across the contact,  
ref. contacts location diagrams

resistance of electric contact, not more than,  
mOhm

Ø1,0 - 7,5

Ø1,5 - 4,0

insulation resistance in normal climatic conditions, not less than  
1000 MOhm

### Climatic

ambient air temperature,  
from minus 60 - to plus 100°C

change of temperature,  
from minus 60 °C- to plus 150°C  
(taking into account the temperature of contacts overheat)

atmospheric pressure decrease, operating  
Pa (mm.Hg)  
 $133,37 \times 10^{-12}$  ( $1 \times 10^{-12}$ )



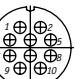

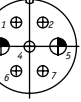


Designation													
	2RM(T)	22	B	P	N	10	G	1	A	0	1	A	V
Connector type													
Dimension type													
Type of housing: B- modular K - cable type													
Type of pipe element: P - straight U - angled													
Type of pipe nut EA - for shielded cable N - for non-shielded cable													
Number of contacts													
Connector portion: SH - plug (male connector) G - socket (female connector)													
Designation of the contacts combination: 1- the contacts $\varnothing 1,0$ mm 2- the contacts $\varnothing 1,0$ mm и $\varnothing 1,5$ mm													
Type of plating: A- gold plating, B - silver plating													
Mounting method: crimping													
Type of contact: cylindrical													
Version as to the type of protection: A - non-protected (for connectors 2RM), B - protected (for connectors 2RMT)													
Universal climatic version for connectors 2RMT													

### Designation while placing the order:

Plug 2RMT14BPN4SH1A01B-V NESK.434413.001 Specification  
 Socket 2RM22KUEA10G1A01A NESK.434413.001 Specification

### Contacts location diagrams

Connector conventional dimension	Contacts location diagrams	Contacts combination diagram number	Contact diameter, mm	Number of contacts	Maximum current load across the contact, A	Operating pressure, V
14		1	1,0	4	5,0	560
18		1	1,0	7	5,0	560
22		1	1,0	10	5,0	560
24		1	1,0	19	4,0	560
27		2	1,0	5	7,5	700
			1,5	2	11,0	700

# Type of connectors 2RM, 2 RMT



Connector conventional dimension	Contacts location diagrams	Contacts combination diagram number	Contact diameter, mm	Number of contacts	Maximum current load across the contact, A	Operating pressure, V
27		1	1,0	24	3,5	560
30		1	1,0	32	3,0	560
33		1	1,0	8	5,0	560
				12		700
36		2	1,0	6	4,0	560
			1,0	10		700
			1,5	4	8,0	560
		1	1,0	5	5,0	560
1,0			17	700		
39		2	1,0	30	3,0	560
			1,0	10		700
			1,5	5	5,0	560
42		2	1,0	15	3,5	700
			1,5	15	5,5	560
		1	1,0	33	3,0	560
			1,0	10		700
			1,5	7	5,0	560

Design and dimensions of connectors 2RM, 2RMT are shown in figures 1-8 and tables 1-8

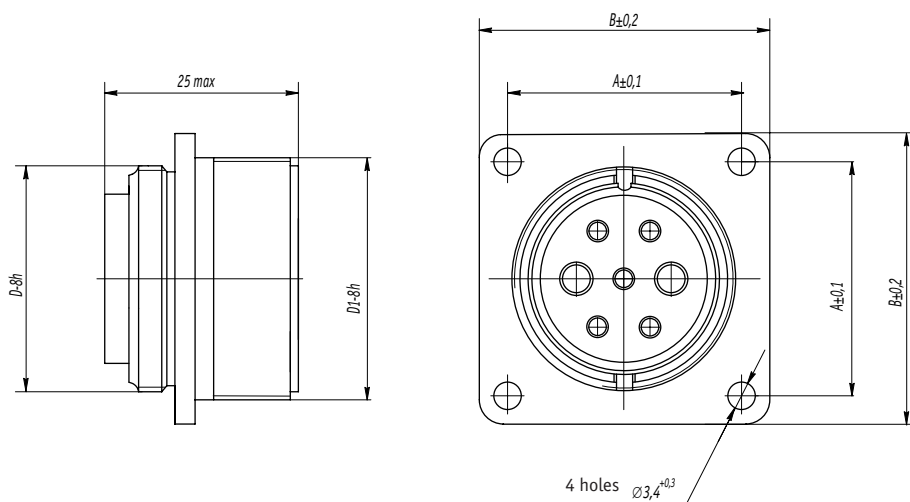


Figure 1 - Fixed connector plugs and sockets (modular) without pipe of 2RM type

Table 1

Connector conventional dimension	Dimensions, mm			
	D	D <sub>1</sub>	A	B
14	M14x1LH	M16x1	17	24
18	M18x1LH	M20x1	20	27
22	M22x1LH	M24x1	23	30
24	M24x1LH	M27x1,5	26	33
27	M27x1LH	M30x1,5	29	36
30	M30x1LH	M33x1,5	31	38
33	M33x1LH	M36x1,5	32	40
36	M36x1LH	M39x1,5	35	43
39	M39x1LH	M42x1,5	37	46
42	M42x1LH	M45x1,5	40	49

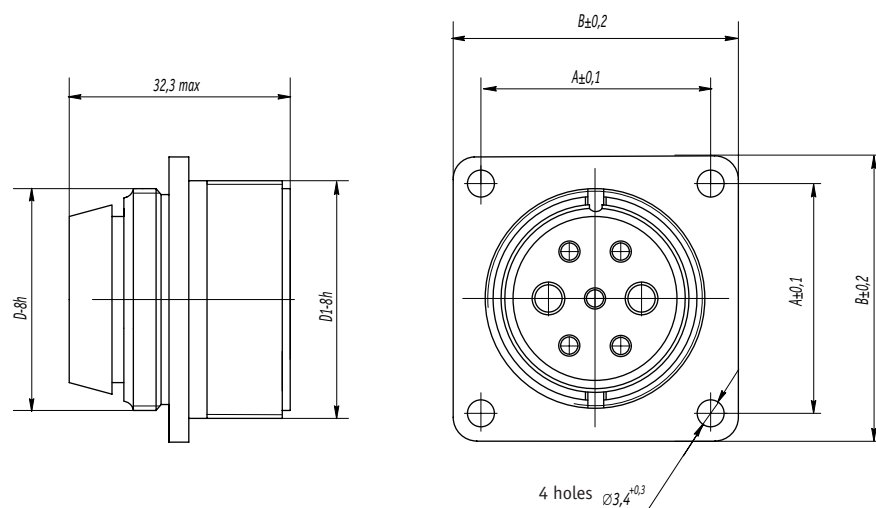


Figure 2 - Fixed connector plugs and sockets (modular) without pipe of 2RM type

Table 2

Connector conventional dimension	Dimensions, mm			
	D	D <sub>1</sub>	A	B
14	M14x1LH	M16x1	17	24
18	M18x1LH	M20x1	20	27
22	M22x1LH	M24x1	23	30
24	M24x1LH	M27x1,5	26	33
27	M27x1LH	M30x1,5	29	36
30	M30x1LH	M33x1,5	31	38
33	M33x1LH	M36x1,5	32	40
36	M36x1LH	M39x1,5	35	43
39	M39x1LH	M42x1,5	37	46
42	M42x1LH	M45x1,5	40	49

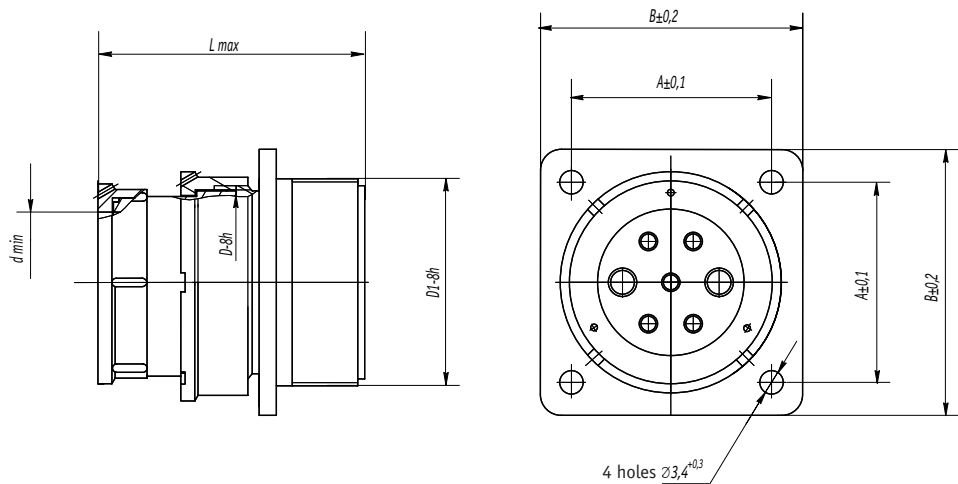


Figure 3 - Fixed connector plugs and sockets 2RM, 2RMT (modular) with straight pipe and nut for shielded cable

Table 3

Connector conventional dimension	Dimensions, mm					
	D	D <sub>1</sub>	d <sub>min</sub>	A	B	L <sub>max</sub>
14	M14x1LH	M16x1	6,5	17	24	48
18	M18x1LH	M20x1	10,5	20	27	48
22	M22x1LH	M24x1	14,0	23	30	48
24	M24x1LH	M27x1,5	16,0	26	33	54
27	M27x1LH	M30x1,5	18,0	29	36	54
30	M30x1LH	M33x1,5	19,0	31	38	54
33	M33x1LH	M36x1,5	23,1	32	40	59
36	M36x1LH	M39x1,5	23,1	35	43	59
39	M39x1LH	M42x1,5	24,1	37	46	59
42	M42x1LH	M45x1,5	29,1	40	49	59

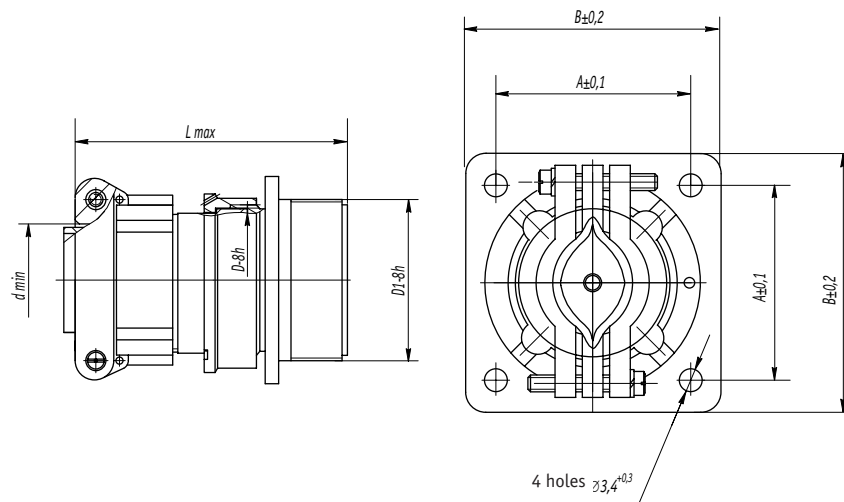


Figure 4 - Fixed connector plugs and sockets 2RM, 2RMT (modular) with straight pipe and nut for non-shielded cable

Table 4

Connector conventional dimension	Dimensions, mm					
	D	D <sub>1</sub>	d <sub>min</sub>	A	B	L <sub>max</sub>
14	M14x1LH	M16x1	6,5	17	24	53,5
18	M18x1LH	M20x1	10,5	20	27	53,5
22	M22x1LH	M24x1	14,5	23	30	55,5
24	M24x1LH	M27x1,5	16,6	26	33	62,5
27	M27x1LH	M30x1,5	18,5	29	36	62,5
30	M30x1LH	M33x1,5	20,5	31	38	62,5
33	M33x1LH	M36x1,5	22,5	32	40	67,5
36	M36x1LH	M39x1,5	22,5	35	43	67,5
39	M39x1LH	M42x1,5	24,5	37	46	67,5
42	M42x1LH	M45x1,5	30,5	40	49	67,5

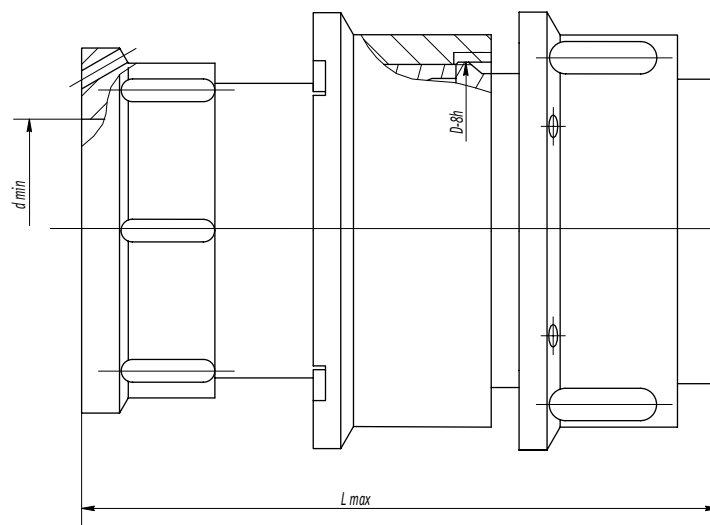


Figure 5 - Cable connector plugs and sockets 2RM, 2RMT with straight pipe and nut for shielded cable

Table 5

Connector conventional dimension	Dimensions, mm		
	D	$d_{min}$	$L_{max}$
14	M14x1LH	6,5	48
18	M18x1LH	10,5	48
22	M22x1LH	14,0	48
24	M24x1LH	16,0	54
27	M27x1LH	18,0	54
30	M30x1LH	19,0	54
33	M33x1LH	23,1	59
36	M36x1LH	23,1	59
39	M39x1LH	24,1	59
42	M42x1LH	29,1	59

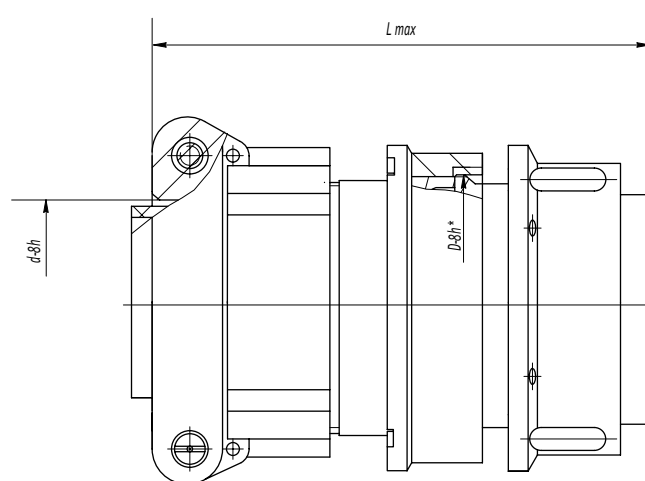


Figure 6 - Cable connector plugs and sockets 2RM, 2RMT with straight pipe and nut for non-shielded cable

Table 6

Connector conventional dimension	Dimensions, mm		
	D	$d_{min}$	$L_{max}$
14	M14x1LH	6,5	53,5
18	M18x1LH	10,5	53,5
22	M22x1LH	14,5	55,5
24	M24x1LH	16,6	62,5
27	M27x1LH	18,5	62,5
30	M30x1LH	20,5	62,5
33	M33x1LH	22,5	67,5
36	M36x1LH	22,5	67,5
39	M39x1LH	24,5	67,5
42	M42x1LH	30,5	67,5

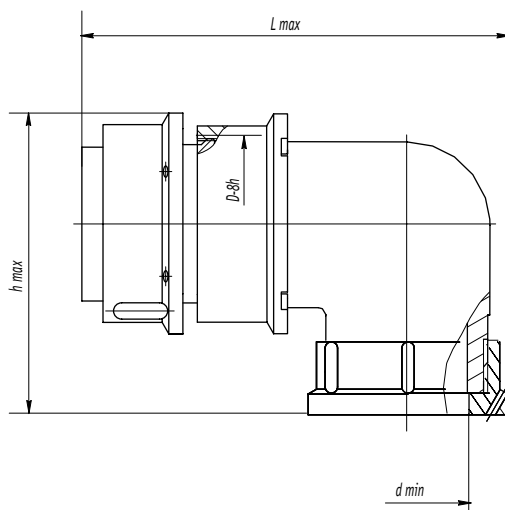


Figure 7 - Cable connector plugs and sockets 2RM, 2RMT with angled pipe and nut for shielded cable

Table 7

Connector conventional dimension	Dimensions, mm			
	D	$h_{max}$	$d_{min}$	$L_{max}$
14	M14x1LH	31	6,5	48,5
18	M18x1LH	34	10,5	51,0
22	M22x1LH	39	14,0	55,6
24	M24x1LH	41	16,0	57,6
27	M27x1LH	44	18,0	59,6
30	M30x1LH	49	19,0	61,6
33	M33x1LH	52	23,1	64,6
36	M36x1LH	55	23,1	64,6
39	M39x1LH	58	24,1	67,6
42	M42x1LH	61	29,1	74,6

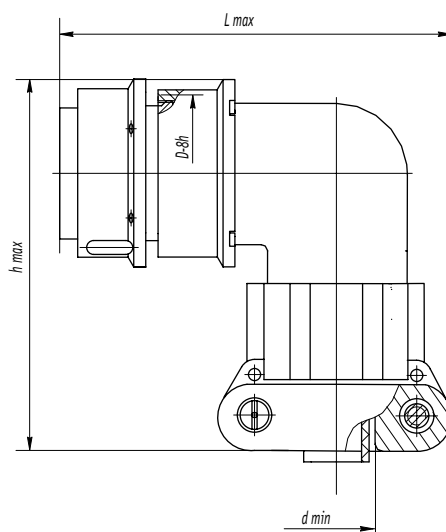


Figure 8 - Cable connector plugs and sockets 2RM, 2RMT with angled pipe and nut for non-shielded cable

Table 8

Connector conventional dimension	Dimensions, mm			
	D	$h_{max}$	$d_{min}$	$L_{max}$
14	M14x1LH	37,0	6,5	54,1
18	M18x1LH	41,0	10,5	58,0
22	M22x1LH	47,5	14,5	62,0
24	M24x1LH	50,1	16,6	64,0
27	M27x1LH	53,1	18,5	66,0
30	M30x1LH	57,1	20,5	71,0
33	M33x1LH	60,1	22,5	71,0
36	M36x1LH	63,1	22,5	71,0
39	M39x1LH	66,1	24,5	74,0
42	M42x1LH	69,1	30,5	81,0

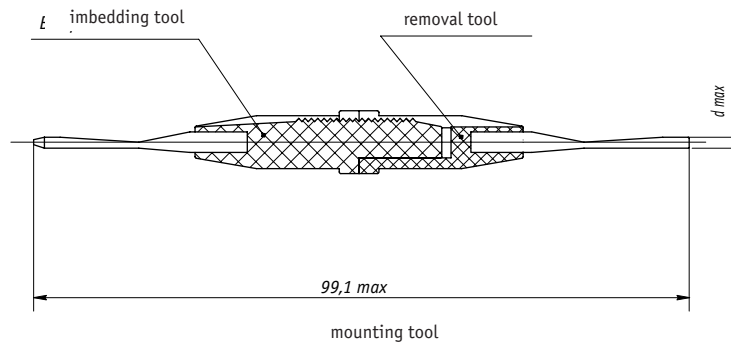


Figure 9 - Tools for imbedding and removal of contacts

Table 9

Designation	Contact diameter, mm	$d_{max}$ , mm	Color of imbedding tool	Color of removal tool
STSKN.296371.012-02	1,0	2,16	red	white
STSKN.296371.012-01	1,5	3,4	blue	

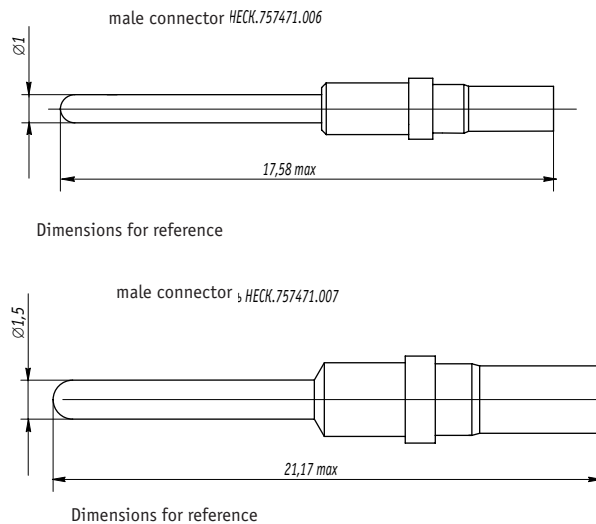
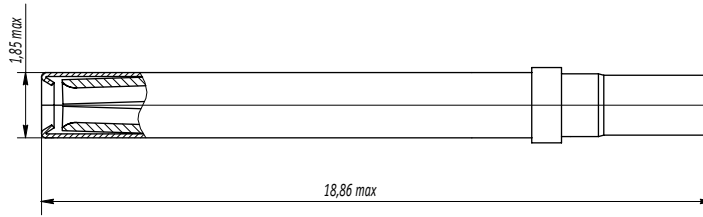


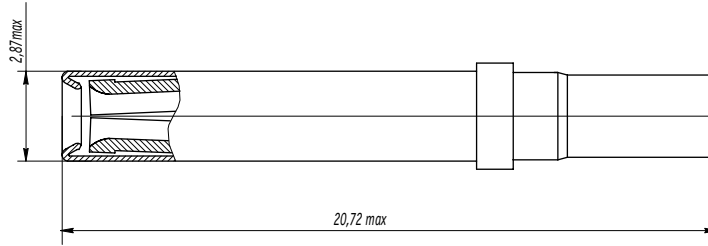
Figure 10 - Contacts

female connector HECK.434439.002



Dimensions for reference

female connector HECK.434439.003



Dimensions for reference

Figure 11 - Female connector