



Application

They are used in radio electronic and radio engineering equipment as connectors of the general type.

Standarts

OST V 11 0121-91
GEO.364.118 Specification
bRO.364.032 Specification

Design description

- screw mating
- climatic version UHL

- contacts plating: silver, nickel
- mounting method: soldering

Characteristics

Mechanical

vibration:

frequency range, Hz - 1...1000
acceleration, m/s^2 - 100 (10g)

single impacts:

acceleration, m/s^2 - 10000 (1000g)

multiple impacts:

acceleration, m/s^2 - 1500 (150g)

linear loads:

acceleration, m/s^2 - 2000 (200g)

Reliability requirements

minimum operating time, h
1000

with mate-unmate operations
500

minimum storage life, years
20

Electric

maximum direct current operating voltage,
not more than
700 V

operating current across the contact,
not more than
(ref. contacts location diagrams)

resistance of electric contact, not more than,
mOhm

plating: silver

Ø1,5 - 2,5

Ø2,5 - 1,0

Ø3,5 - 0,75

Ø5,5 - 0,3

Ø9,0 - 0,15

plating: nickel

Ø1,5 - 5,0

Ø2,5 - 2,5

Ø3,5 - 1,5

Ø5,5 - 0,75

Ø9,0 - 0,6

insulation resistance in normal climatic
conditions, not less than
1000 MOhm

Climatic

ambient air temperature,
from minus 60 - to plus 100°C

change of temperature,
from minus 60 °C- to plus 180°C
(taking in the account the temperature of
contacts overheat)

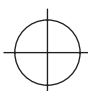




atmospheric pressure decrease, operating
Pa (mm.Hg)
 $1,3 \times 10^{-4}$ (1×10^{-6})



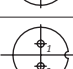
Designation									
	2RT	20	PK	2	EA	SH	6	-A	N
Type									
Dimension type									
Design version:									
Fixed connector									
P - without pipe									
PK - with straight pipe									
SK - with angled pipe									
Cable connector									
P - with straight pipe									
U - with angled pipe									
Number of contacts									
Type of nut for the pipe									
EA - for shielded cable (ref. note 2)									
N - for non-shielded cable									
Type of contacts:									
Fixed connector									
SH - plug (male connector)									
G - socket (female connector)									
Cable connector:									
SH - socket (female connector)									
G - plug (male connector)(ref. note 3)									
Combination of contacts (ref. contacts location diagrams)									
Additional designation - regarding insert material									
Additional element for connectors, manufactured as specified in bR0.364.032 Specificati									
N - nickel plating									

- Notes:
- 1.The type of connector additionally includes designation of material "A"
 - 2.There is no nut in the fixed connector without pipe. Designation "EA" - conventional.
 - 3.Type of the contacts in the cable connector is conventionally designated depending on the type of contacts in fixed connector, with which it is mated.

Designation while placing the order:

Plug 2RT48P2EASH9-A GE0.364.118 Specification
 Socket 2RT48U2NSH9-A GE0.364.118 Specification

Conventional designation of the contacts					
Diameter	1,5	2,5	3,5	5,5	9,0
Conventional designation of the contact					


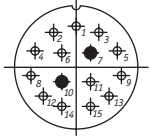
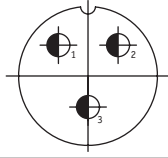
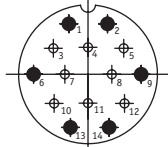
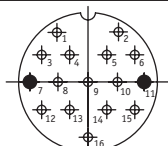
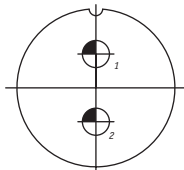
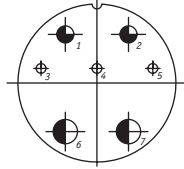
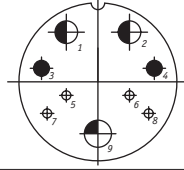
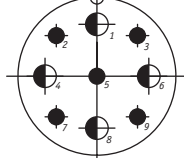
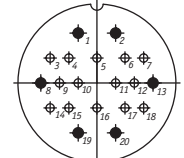
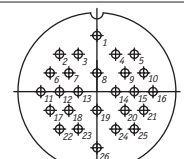
Contacts location diagrams					
Connector conventional dimension	Contact location diagrams	Contact combination number	Contact diameter, mm	Number of contacts	Operating current, A
12		2	2,5	1	25
16		3	3,5	1	50
		5	1,5	2	10

Type of connectors 2RT-A



Connector conventional dimension	Contact location diagrams	Contact combination number	Contact diameter, mm	Number of contacts	Operating current, A
20		6	2,5	2	25
		7	2,5	3	25
		8	2,5	4	25
		7	1,5	5	10
28		4	5,5	1	100
		7	3,5	2	50
		5	2,5	2	25
			3,5	2	50
	9	2,5	7	25	
32		5	9,0	1	200
		14	2,5	3	25
			5,5	1	100
		3	2,5	8	25
		1	1,5	6	10
2,5			4	25	
36		13	2,5	3	25
			9,0	1	200
		11	3,5	5	50

Gagarin ave, 98, Kharkov, Ukraine 61140 tel 057 737-36-88, fax 057 736-07-60

Connector conventional dimension	Contact location diagrams	Contact combination number	Contact diameter, mm	Number of contacts	Operating current, A		
36		1	1,5	3	10		
			2,5	3	25		
			3,5	1	50		
		4	1,5	13	10		
2,5			2	25			
40		9	5,5	3	100		
				2	1,5	8	10
	2,5	6			25		
		2			1,5	14	10
					2,5	2	25
	48		9	9,0	2	200	
				2	1,5	3	10
		3,5	2		50		
		5,5	2		100		
		1	1,5	4	10		
			2,5	2	25		
			5,5	2	100		
			9,0	1	200		
		7	2,5	5	25		
			5,5	4	100		
		1	1,5	14	10		
	2,5		6	25			
	2	1,5	26	9			

Type of connectors 2RT-A



Connector conventional dimension	Contact location diagrams	Contact combination number	Contact diameter, mm	Number of contacts	Operating current, A
55		6	2,5	3	25
			9,0	3	200
		1	1,5	16	9
			2,5	2	22
			3,5	3	45
			5,5	2	90
		1	1,5	22	9
			2,5	8	22
		3	1,5	14	8
			2,5	14	20
			3,5	3	40
		3	1,5	33	8
3,5			2	40	
60		1	1,5	14	8
			2,5	14	20
			3,5	2	40
			5,5	1	80
		2	1,5	25	7
			2,5	20	17
		2	1,5	40	7
			2,5	7	17

Gagarin ave, 98, Kharkov, Ukraine 61140 tel 057 737-36-88, fax 057 736-07-60

Design and dimensions of connectors 2RT-A are shown in figures 1-9 and tables 1-9.

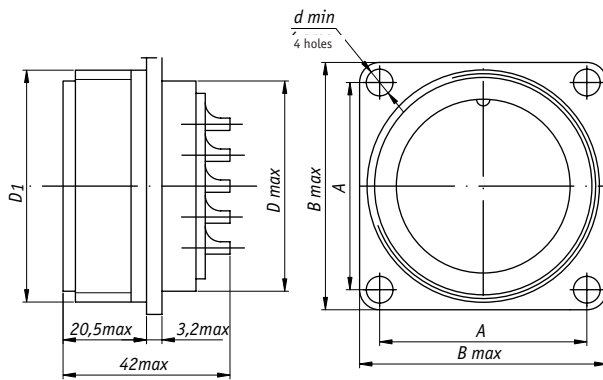


Figure 1 - Fixed connector plugs and sockets without pipes

Table 1

Connector conventional dimension	Dimensions, mm				
	A	B	D	D ₁	d
12	16±0,1	22	12	M16x1,5	3,2
16	19±0,1	25	16	M20x1,5	3,2
20	22±0,1	30	20	M24x1,5	3,2
28	30±0,2	38	28	M33x1,5	3,5
32	32±0,2	40	32	M36x1,5	3,5
36	34±0,2	42	36	M39x1,5	3,5
40	40±0,2	48	40	M45x1,5	3,5
48	48±0,2	58	48	M52x1,5	4,5
55	52±0,2	64	55	M60x1,5	4,5
60	54±0,2	68	60	M64x1,5	4,5

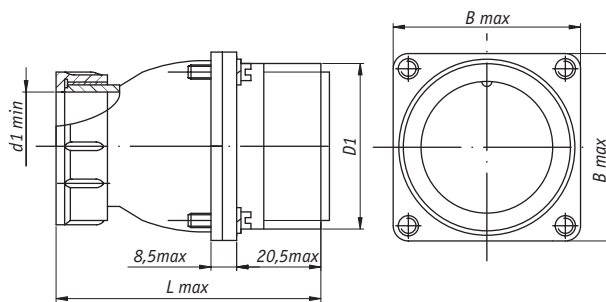


Figure 2 - Fixed connector plugs and sockets with straight pipe and nut for shielded cable

Table 2

Connector conventional dimension	Dimensions, mm			
	B	D ₁	d	L
12	22	M16x1,5	8	52,2
16	25	M20x1,5	11	52,2
20	30	M24x1,5	18	55,2
28	38	M33x1,5	25	60,2
32	40	M36x1,5	25	64,2
36	42	M39x1,5	29	66,2
40	48	M45x1,5	32	66,2
48	58	M52x1,5	36	68,2
55	64	M60x1,5	46	68,2
60	68	M64x1,5	50	66,2

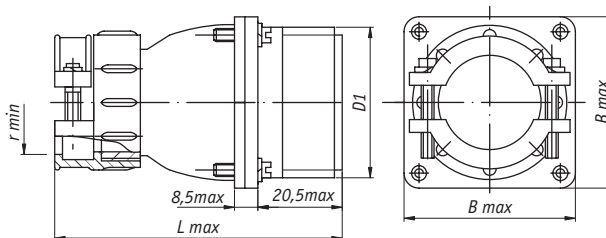


Figure 3 - Fixed connector plugs and sockets with straight pipe for non-shielded cable

Table 3

Connector conventional dimension	Dimensions, mm			
	B	D ₁	r	L
12	22	M16x1,5	2,5	64,8
16	25	M20x1,5	3,5	62,8
20	30	M24x1,5	7,0	65,8
28	38	M33x1,5	10,5	74,8
32	40	M36x1,5	10,5	78,8
36	42	M39x1,5	11,5	80,8
40	48	M48x1,5	12,0	80,8
48	58	M52x1,5	16,0	82,8
55	64	M60x1,5	20,0	82,8
60	68	M64x1,5	24,0	80,8

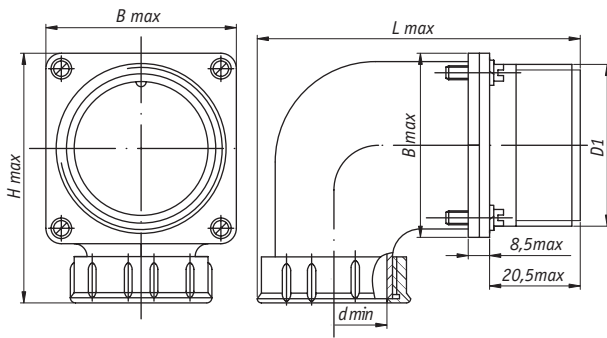


Figure 4 - Fixed connector plugs and sockets with elbow pipe and nut for shielded cable

Table 4

Connector conventional dimension	Dimensions, mm				
	B	H	D ₁	d	L
12	22	36	M16x1,5	8	54,3
16	25	40,3	M20x1,5	11	58,3
20	30	43,8	M24x1,5	18	65,3
28	38	54,8	M33x1,5	25	76,3
32	40	56,8	M36x1,5	25	76,3
36	42	58,8	M39x1,5	29	79,3
40	48	64,8	M45x1,5	32	83,3
48	58	74,8	M52x1,5	36	93,8
55	64	80,8	M60x1,5	46	101,8
60	68	84,8	M64x1,5	50	107,8

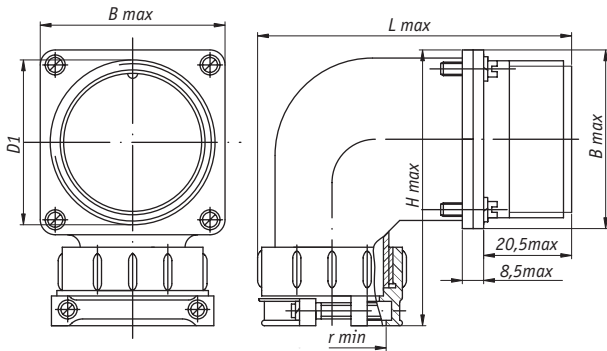


Figure 5 - Fixed connector plugs and sockets with elbow pipe and nut for non-shielded cable

Table 5

Connector conventional dimension	Dimensions, mm				
	B	H	D ₁	r	L
12	22	49,4	M16x1,5	2,5	53,5
16	25	50,9	M20x1,5	3,5	58,0
20	30	55,4	M24x1,5	7,0	65,0
28	38	69,4	M33x1,5	10,5	76,5
32	40	71,4	M36x1,5	10,5	76,5
36	42	73,4	M39x1,5	11,5	79,0
40	48	79,4	M45x1,5	12,0	84,5
48	58	89,4	M52x1,5	16,0	95,5
55	64	95,4	M60x1,5	20,0	102,5
60	68	99,4	M64x1,5	24,0	108,0

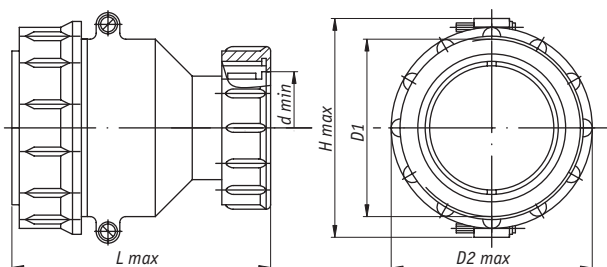


Figure 6 - Cable connector plugs and sockets with straight pipe and nut for shielded cable

Table 6

Connector conventional dimension	Dimensions, mm				
	H	D ₁	D ₂	d	L
12	25,5	M16x1,5	21,5	8	52,1
16	29,5	M20x1,5	25,5	11	52,1
20	37,1	M24x1,5	29,5	18	56,1
28	49,1	M33x1,5	38,5	25	58,1
32	53,1	M36x1,5	41,5	25	60,1
36	56,1	M39x1,5	45,5	29	64,1
40	61,1	M45x1,5	52,5	32	66,1
48	69,1	M52x1,5	59,5	36	68,1
55	75,1	M60x1,5	67,5	46	68,1
60	81,1	M64x1,5	72,5	50	66,1

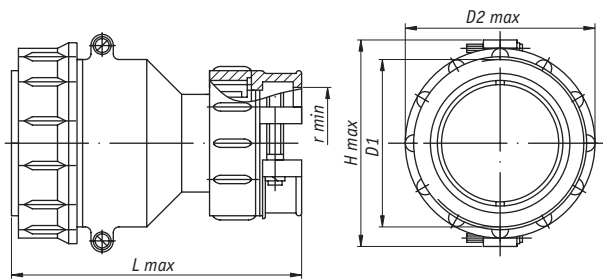


Figure 7 - Cable connector plugs and sockets with straight pipe and nut for non-shielded cable

Table 7

Connector conventional dimension	Dimensions, mm				
	H	D ₁	D ₂	r	L
12	25,5	M16x1,5	21,5	2,5	64,7
16	29,5	M20x1,5	25,5	3,5	62,7
20	37,1	M24x1,5	29,5	7,0	67,7
28	49,1	M33x1,5	38,5	10,5	72,7
32	53,1	M36x1,5	41,5	10,5	74,7
36	56,1	M39x1,5	45,5	11,5	78,7
40	61,1	M45x1,5	52,5	12,0	80,7
48	69,1	M52x1,5	59,5	16,0	82,7
55	75,1	M60x1,5	67,5	20,0	82,7
60	81,1	M64x1,5	72,5	24,0	80,7

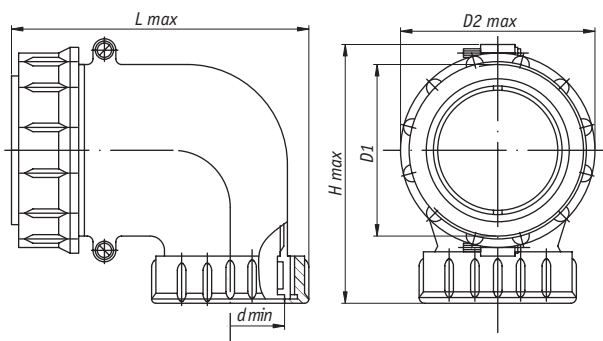


Figure 8 - Cable connector plugs and sockets with elbow pipe and nut for shielded cable

Table 8

Connector conventional dimension	Dimensions, mm				
	H	D ₁	D ₂	d	L
12	38,6	M16x1,5	21,5	8	54,1
16	42,6	M20x1,5	25,5	11	60,1
20	51,4	M24x1,5	29,5	18	68,1
28	63,4	M33x1,5	38,5	25	76,1
32	67,4	M36x1,5	41,5	25	76,1
36	68,9	M39x1,5	45,5	29	79,1
40	73,4	M45x1,5	52,5	32	83,6
48	82,4	M52x1,5	59,5	36	93,6
55	89,4	M60x1,5	67,5	46	101,1
60	95,4	M64x1,5	72,5	50	107,6

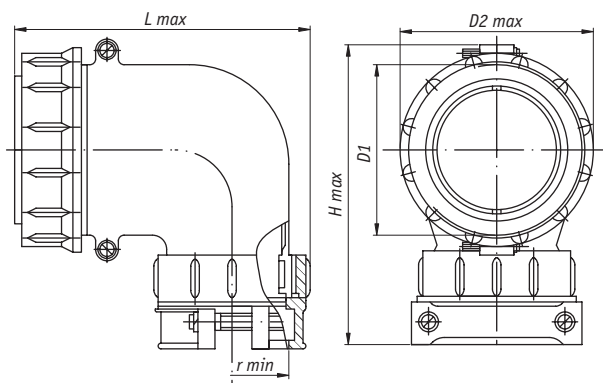


Figure 9 - Cable connector plugs and sockets with elbow pipe and nut for non-shielded cable

Table 9

Connector conventional dimension	Dimensions, mm				
	H	D ₁	D ₂	r	L
12	51,2	M16x1,5	21,5	2,5	53,4
16	53,2	M20x1,5	25,5	3,5	59,9
20	63,0	M24x1,5	29,5	7,0	67,9
28	78,0	M33x1,5	38,5	10,5	76,4
32	82,0	M36x1,5	41,5	10,5	76,4
36	83,5	M39x1,5	45,5	11,5	78,9
40	88,0	M45x1,5	52,5	12,0	84,4
48	97,0	M52x1,5	59,5	16,0	95,4
55	104,0	M60x1,5	67,5	20,0	101,9
60	110,0	M64x1,5	72,5	24,0	107,9