



### Application

They are used in radio electronic and radio engineering equipment as connectors of the general type

### Standarts

OST V 11 0121-91  
GEO.364.112 Specification  
bRO.364.034 Specification

### Design description

- screw mating
- climatic version UHL

- contacts plating: silver, nickel
- mounting method: soldering

### Characteristics

#### Mechanical

vibration:

frequency range, Hz - 1...5000  
acceleration, m/s<sup>2</sup> - 300 (30g)

single impacts:

acceleration, m/s<sup>2</sup> - 5000 (500g)

multiple impacts:

acceleration, m/s<sup>2</sup> - 350 (35g)

linear loads:

acceleration, m/s<sup>2</sup> - 2000 (200g)

#### Reliability requirements

minimum operating time, h  
1000

with mate -unmate operations  
500

minimum storage life, years  
15

#### Electric

maximum direct current operating voltage,  
not more than  
2100 V

operating current across the contact,  
not more than  
(ref. contact location diagrams)

resistance of electric contact,  
not more than, mOhm  
silver- 2,5  
nickel - 10,0

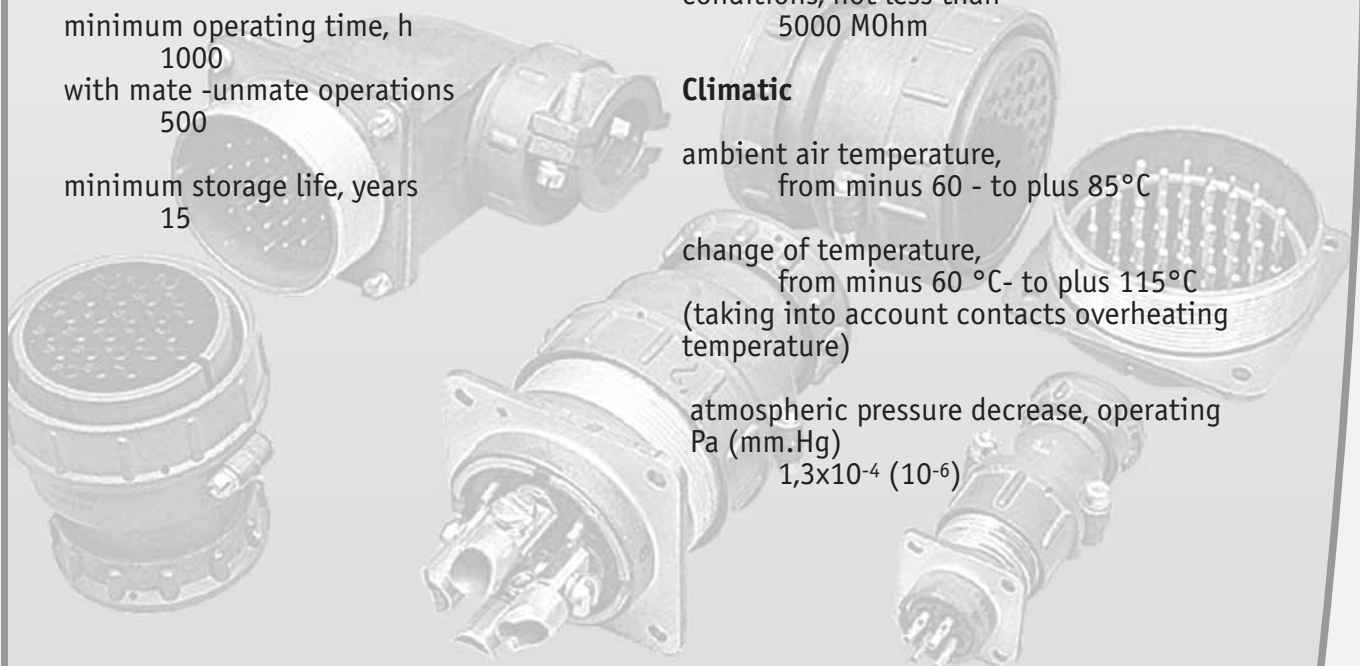
insulation resistance in normal climatic  
conditions, not less than  
5000 MOhm

#### Climatic

ambient air temperature,  
from minus 60 - to plus 85°C

change of temperature,  
from minus 60 °C- to plus 115°C  
(taking into account contacts overheating  
temperature)

atmospheric pressure decrease, operating  
Pa (mm.Hg)  
1,3x10<sup>-4</sup> (10<sup>-6</sup>)



## Designation

	R	20	PK	4	EA	SH	4	L	N
Type									
Dimension type									
Design version: Fixed connector P - without pipe PK - with straight pipe SK - with angled pipe Cable connector P - with straight pipe U - with angled pipe									
Number of contacts (ref. contacts location diagrams)									
Type of nut for the pipe EA - for screened cable (ref. note 1) N - for non screened cable									
Type of contacts: Fixed connector SH - plug (male connector) G - socket (female connector) Cable connector: SH - socket (female connector) G - plug (male connector)									
Combination of contacts (ref. contacts location diagrams)									
Additional designation (ref. note 3)									
Additional designation only for plugs and sockets nickel plating of contacts as specified in bR0.364.034 Specification									

## Notes:



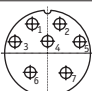
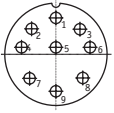
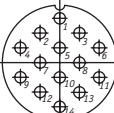
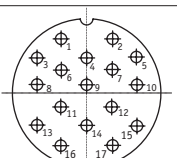
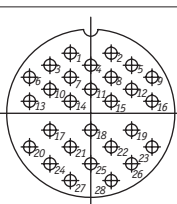
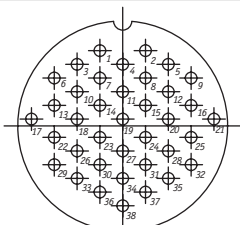
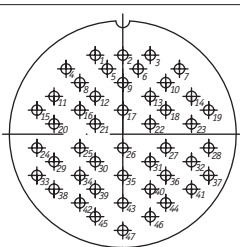
1. There is no cable fixing nut in fixed connector without pipe. Designation "EA" - conventional.
2. Type of the contacts in the cable connector is conventionally designated depending on the type of contacts in fixed connector, with which it is mated.
3. In conventional designation of the left cable sockets after the symbols denoting the contact combination there is letter "L". The left cable sockets are mated with adapter of the RG-P type, manufactured as specified in GE0.364.113 Specification or bR0.364.041 Specification.

## Designation while placing the order:

Plug R36P14EASH5 GE0.364.112 Specification  
Socket R36U14NSH5L GE0.364.112 Specification

### Contact location diagrams

The contacts with diameter 1,5 mm

Connector conventional dimension	Contact location diagrams	Number of contacts	Contact combination number	Operating current, A not more than
16		1	1	10
20		4	4	10
28		7	7	10
32		9	2	10
36		14	5	10
40		17	1	10
48		28	1	9
55		38	1	8
60		47	1	7

### Left sockets of the R type

Connector conventional dimension	Contact location diagrams	Number of contacts	Contact combination number	Operating current, A not more than
20		4	4	10
28		7	7	10
32		9	2	10
36		14	5	10
40		17	1	10
48		28	1	9

Design and dimensions of connectors of the R type are given in Figures 1-9 and tables 1-9

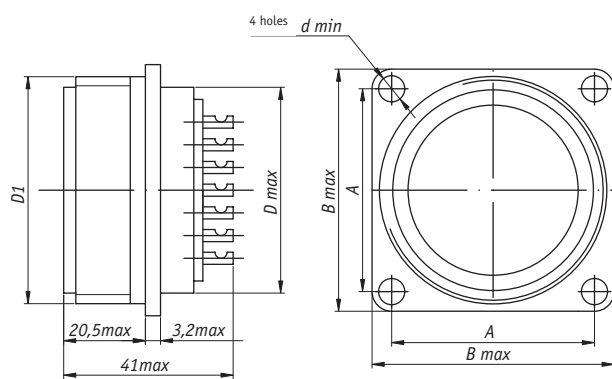


Figure 1 - Fixed connector plugs and sockets without pipe

Table 1

Connector conventional dimension	Dimensions, mm				
	A	B	D	D <sub>1</sub>	d
16	19±0,1	25	16	M20x1,5	3,2
20	22±0,1	30	20	M24x1,5	3,2
28	30±0,2	38	28	M33x1,5	3,5
32	32±0,2	40	32	M36x1,5	3,5
36	34±0,2	42	36	M39x1,5	3,5
40	40±0,2	48	40	M45x1,5	3,5
48	48±0,2	58	48	M52x1,5	4,5
55	52±0,2	64	55	M60x1,5	4,5
60	54±0,2	68	60	M64x1,5	4,5

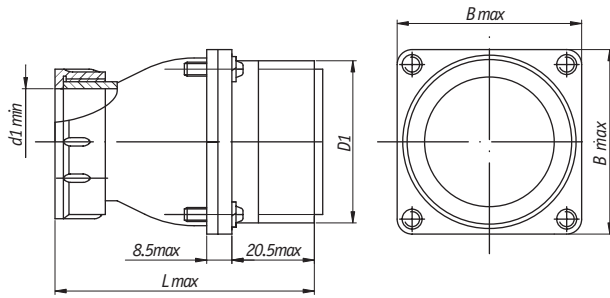


Figure 2 - Fixed connector plug and sockets with straight pipe and nut for shielded cable

Table 2

Connector conventional dimension <sup>Y</sup>	Dimensions, mm			
	B	D <sub>1</sub>	d <sub>1</sub>	L
16	25	M20x1,5	11	52,2
20	30	M24x1,5	18	55,2
28	38	M33x1,5	25	60,2
32	40	M36x1,5	25	64,2
36	42	M39x1,5	29	66,2
40	48	M45x1,5	32	66,2
48	58	M52x1,5	36	68,2
55	64	M60x1,5	46	68,2
60	68	M64x1,5	50	66,2

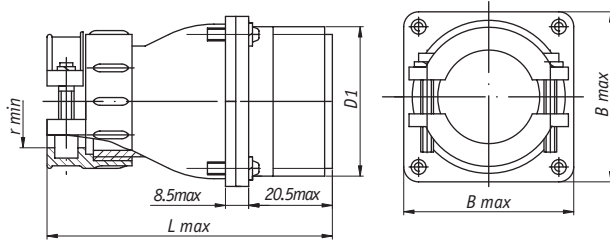


Figure 3 - Fixed connectors plugs and sockets with straight pipe and nut for non-shielded cable

Table 3

Connector conventional dimension	Dimensions, mm			
	B	D <sub>1</sub>	r	L
16	25	M20x1,5	3,5	62,8
20	30	M24x1,5	7,0	65,8
28	38	M33x1,5	10,5	74,8
32	40	M36x1,5	10,5	78,8
36	42	M39x1,5	11,5	80,8
40	48	M45x1,5	12,0	80,8
48	58	M52x1,5	16,0	82,8
55	64	M60x1,5	20,0	82,8
60	68	M64x1,5	24,0	80,8

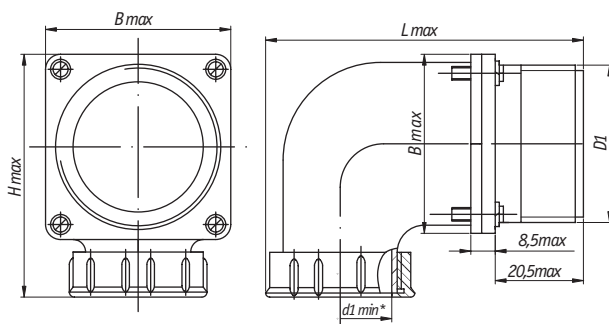


Figure 4 - Fixed connectors plugs and nuts with elbow pipe and nut for shielded cable

Table 4

Connector conventional dimension	Dimensions, mm				
	B	H	D <sub>1</sub>	d <sub>1</sub>	L
20	30	43,8	M24x1,5	18	65,3
28	38	54,8	M33x1,5	25	76,3
32	40	56,8	M36x1,5	25	76,3
36	42	58,8	M39x1,5	29	79,3
40	48	64,8	M45x1,5	32	83,8
48	58	74,8	M52x1,5	36	93,8
55	64	80,8	M60x1,5	46	101,8
60	68	84,8	M64x1,5	50	107,8

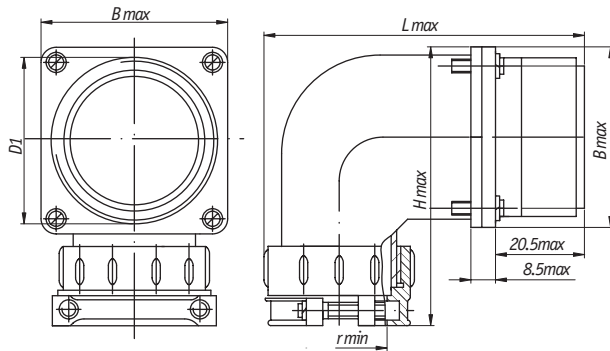


Figure 5 - Cable plugs and sockets with angled pipe and nut for unshielded cable

Table 5

Connector conventional dimension	Dimensions, mm				
	B	H	D <sub>1</sub>	r	L
20	30	55,4	M24x1,5	7,0	65,0
28	38	69,4	M33x1,5	10,5	76,5
32	40	71,4	M36x1,5	10,5	76,5
36	42	73,4	M39x1,5	11,5	79,0
40	48	79,4	M45x1,5	12,0	84,5
48	58	89,4	M52x1,5	16,0	95,5
55	64	95,4	M60x1,5	20,0	102,5
60	68	99,4	M64x1,5	24,0	108,0

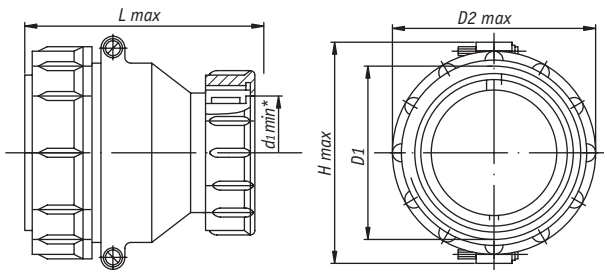


Figure 6- Cable plugs and sockets with straight pipe and nut for shielded cable. Left cable sockets with straight pipe and nut for shielded cable

Table 6

Connector conventional dimension	Dimensions, mm				
	H	D <sub>1</sub>	D <sub>2</sub>	d <sub>1</sub>	L
16	29,5	M20x1,5	25,5	11	52,1
20	37,1	M24x1,5	29,5	18	56,1
28	49,1	M33x1,5	38,5	25	58,1
32	53,1	M36x1,5	41,5	25	60,1
36	56,1	M39x1,5	45,5	29	64,1
40	61,1	M45x1,5	52,5	32	66,1
48	69,1	M52x1,5	59,5	36	68,1
55	75,1	M60x1,5	67,5	46	68,1
60	81,1	M64x1,5	72,5	50	66,1

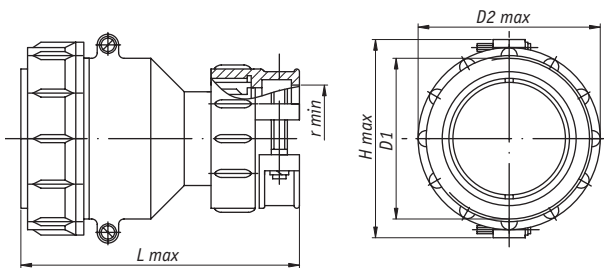


Figure 7 - Cable plugs and sockets with angled pipe and nut for unshielded cable. Left cable sockets with angled pipe and nut for unshielded cable

Table 7

Connector conventional dimension	Dimensions, mm				
	H	D <sub>1</sub>	D <sub>2</sub>	r	L
16	29,5	M20x1,5	25,5	3,5	62,7
20	37,1	M24x1,5	29,5	7,0	67,7
28	49,1	M33x1,5	38,5	10,5	72,7
32	53,1	M36x1,5	41,5	10,5	74,7
36	56,1	M39x1,5	45,5	11,5	78,7
40	61,1	M45x1,5	52,5	12,0	80,7
48	69,1	M52x1,5	59,5	16,0	82,7
55	75,1	M60x1,5	67,5	20,0	82,7
60	81,1	M64x1,5	72,5	24,0	80,7

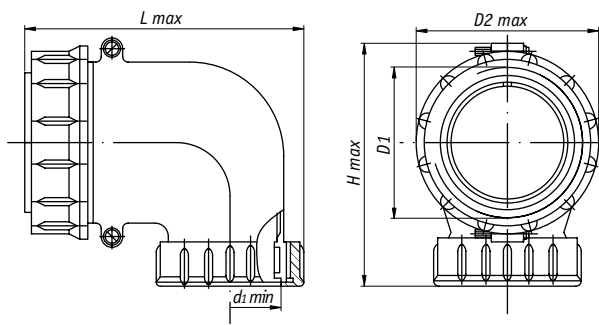


Figure 8 - Cable plugs and sockets with elbow pipe and nut for shielded cable.  
Left cable sockets with elbow pipe and nut for shielded cable

Table 8

Connector conventional dimension	Dimensions, mm				
	H	D <sub>1</sub>	D <sub>2</sub>	d <sub>1</sub>	L
16	42,6	M20x1,5	25,5	11	60,1
20	51,4	M24x1,5	29,5	18	68,1
28	63,4	M33x1,5	38,5	25	76,1
32	67,4	M36x1,5	41,5	25	76,1
36	68,9	M39x1,5	45,5	29	79,1
40	73,4	M45x1,5	52,5	32	83,6
48	82,4	M52x1,5	59,5	36	93,6
55	89,4	M60x1,5	67,5	46	101,1
60	95,4	M64x1,5	72,5	50	107,6

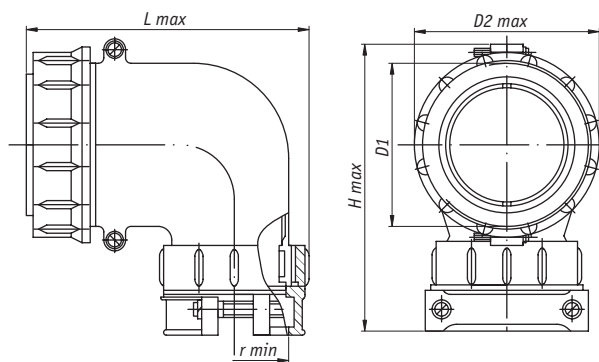


Figure 9 - Cable plugs and sockets with elbow pipe and nut for non-shielded cable.  
Left cable sockets with elbow pipe and nut for non-shielded cable

Table 9

Connector conventional dimension	Dimensions, mm				
	H	D <sub>1</sub>	D <sub>2</sub>	r	L
16	53,2	M20x1,5	25,5	3,5	59,9
20	63,0	M24x1,5	29,5	7,0	67,9
28	78,0	M33x1,5	38,5	10,5	76,4
32	82,0	M36x1,5	41,5	10,5	76,4
36	83,5	M39x1,5	45,5	11,5	78,9
40	88,0	M45x1,5	52,5	12,0	84,4
48	97,0	M52x1,5	59,5	16,0	95,4
55	104,0	M60x1,5	67,5	20,0	101,9
60	110,0	M64x1,5	72,5	24,0	107,9