



Application

They are used in radiocommunication

Standarts

GE0.364.213 Specification

Design description

- plug in type, screw mating
- dust, splash proof
- climatic version UHL

- plating: gold, silver
- mounting method: soldering

Characteristics

Mechanical

vibration:

frequency range, Hz - 10...100
acceleration, m/s² - 50 (5g)

single impacts:

acceleration, m/s² - 1500 (150g)

Reliability requirements

minimum operating time, h
1000

with mate-unmate operations
100

minimum storage life, years
10

Electrical

operating voltage , not more than
1 mV - 40 V

current across the contact,
10 microampere - 1 A

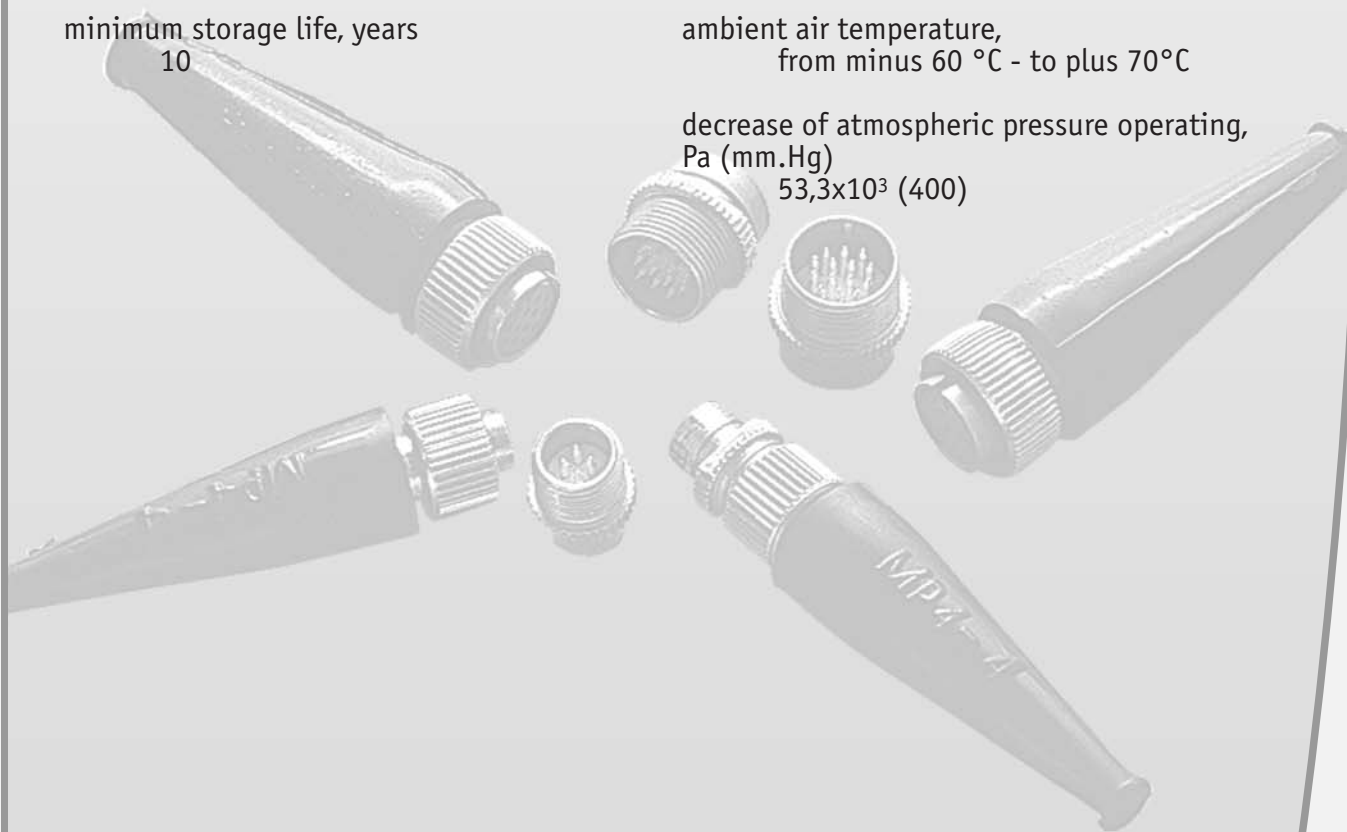
electric contact resistance, not more than
0,01 Ohm

insulation resistance in normal climatic
conditions, not less than
500 MOhm

Climatic

ambient air temperature,
from minus 60 °C - to plus 70°C

decrease of atmospheric pressure operating,
Pa (mm.Hg)
53,3x10³ (400)



Designation

	MR4	-4	SH	-2
Type				
Number of contacts: 4 (14)				
Connector portion: SH- plug (male connector) G- socket (female connector)				
1 - silver				
2 - silver				
3 - gold				
4 - gold				

Designation while placing the order:

Plug MR4-4SH-1 GE0.364.213 Specification
Socket MR4-14G-3 GE0.364.213 Specification

Design and dimensions of connectors MR4 are shown in figures 1, 2 and tables 1, 2

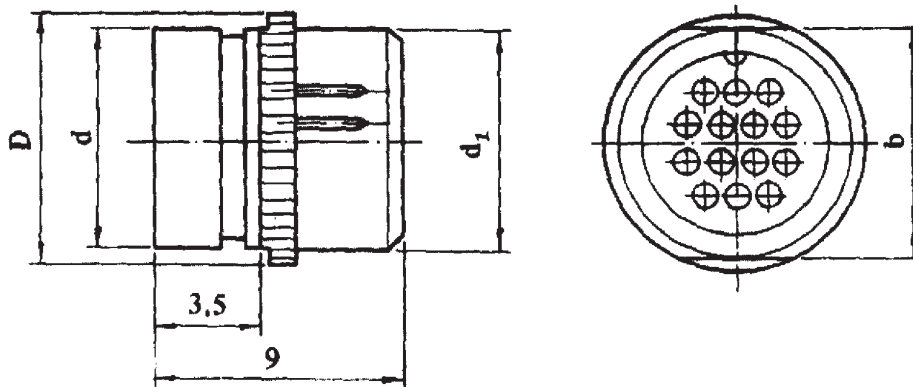


Figure 1 - Plug

Table 1

Designation	Number of contacts	Dimensions, mm	
		D	d
MR4-4SH-1	4	7,2	M6x0,5
MR4-14-SH-2	14	9,8	M8x0,5
MR4-4SH-3	4	7,2	M6x0,5
MR4-14-SH-4	14	9,8	M8x0,5

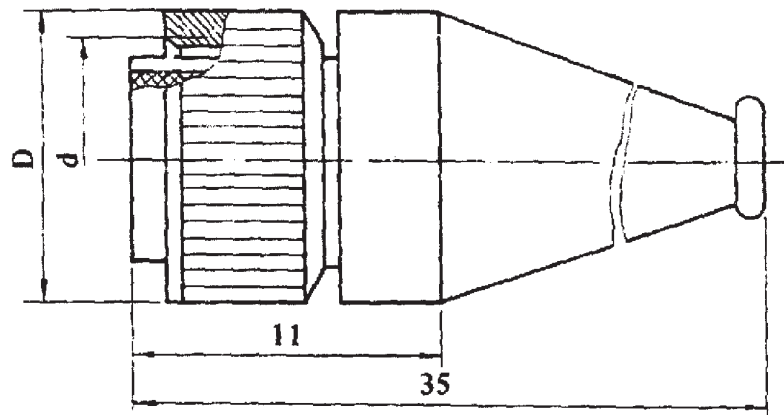


Figure 2- Socket

Table 2

Designation	Number of contacts	Dimensions, mm			
		D	d	d ₁	B
MR4-4G-1	4	7,0	5	M6x0,5	5
MR4-14-G-2	14	9,5	8	M8x0,5	8
MR4-4G-3	4	7,0	5	M6x0,5	5
MR4-14-G-4	14	9,5	8	M8x0,5	8