

Type of connectors ONP-ZHI-8 in metal current conductive housing



Application

They are used in radio electronic and radio engineering equipment as connectors of general type

Standarts

OST V 11 0121-91
NSHCH0.364.021 Specification

Design description

- cut in mating with screw fixation and coding element
- climatic version V
- contacts plating: gold or silver
- mounting method: soldering
- metal current conducting housing

Characteristics

Mechanical

- vibration:
- frequency range, Hz - 1...3000
 - acceleration, m/s^2 - 196 (20g)
- single impact:
- acceleration, m/s^2 - 10000 (1000g)
 - duration, ms 0,1-2,0
- multiple impacts:
- acceleration, m/s^2 - 1500 (150g)
 - duration, ms 1-5
- linear loads:
- acceleration, m/s^2 - 1962 (200g)

Reliability requirements

- minimum operating time, h
10000
- with mate-unmate operations
100
- minimum storage life, years
25

Electric

- maximum direct current operating voltage, not more than
100 V
- operating current across the contact, not more than
1 A
- resistance of electric contact, not more than
10 mOhm
- resistance of any joint of current conducting parts, not more than
2 mOhm
- insulation resistance in normal climatic conditions, not less than
5000 MOhm

Climatic

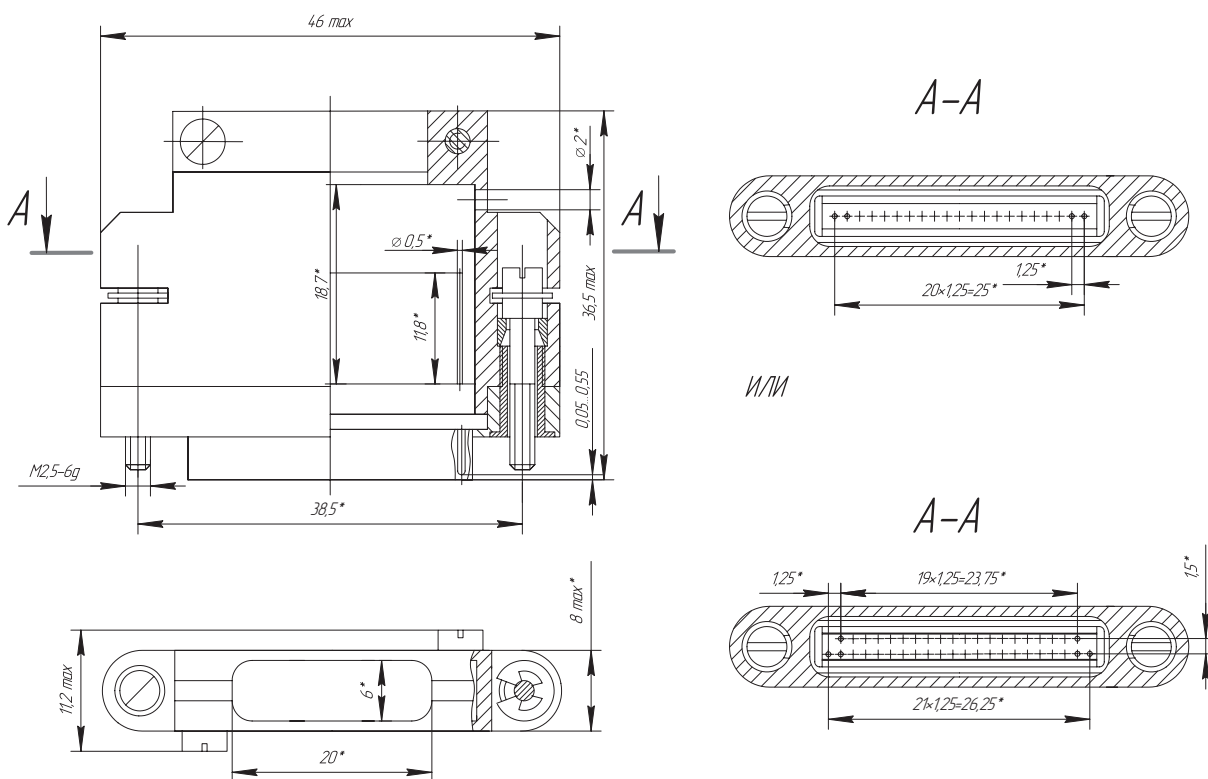
- ambient air temperature,
from minus 60 - to plus 85°C
- temperature change,
from minus 60 - to plus 95°C
(taking in the account the temperature of contacts overheat)
- decrease of atmospheric pressure operating, Pa (mm.Hg)
 $1,3 \times 10^{-4}$ (1×10^{-6})

Designation						
	ONP-ZHI-8	-42	/46x8	-R	30	-S -V
Type						
Number of contact	21, 42					
Conventional dimension						
Type of contact:						
V - plug (male connector)						
R - socket (female connector)						
Design version:						
30 - fixed portion (socket) in metal current conductive housing only for mating with the cable portion with classification element 43						
43 - cable portion (plug) in metal current conductive housing only for mating with fixed portion with classification element 30						
S- additional designation only for connectors with silver palating of working (contact) portion of the contacts						
Universal climatic version						

Designation while placing the order:

Socket ONP-ZHI-8-21/46x8-R30-V NSHCH0.364.021Specification
 Plug ONP-ZHI-8-42/46x8-V43-S-V NSHCH0.364.021Specification

Design and dimensions of connectors ONP-ZHI-8 in metal housing and the weight of connectors are given in the Figures 1, 2 and tables 1, 2.



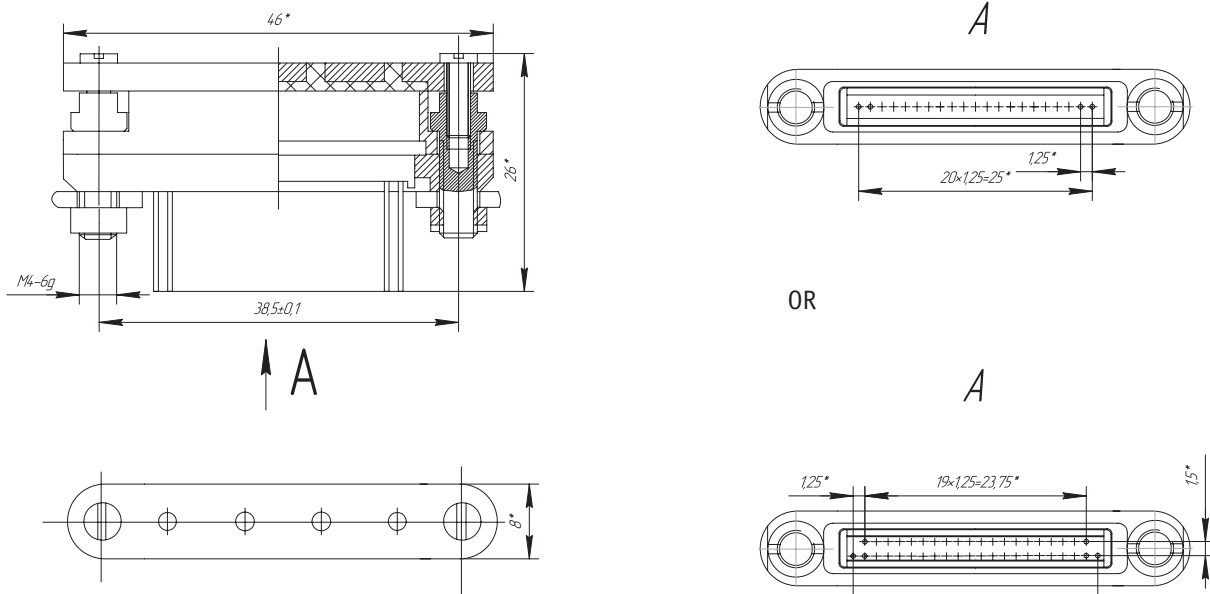
*Dimensions for reference

Figure1 - Plug ONP-ZHI-8, classification element 43

Type of connectors ONP-ZHI-8 in metal current conductive housing

Table 1

Conventional designation	Designation	Weight, g not more then
ONP-ZHI-8-21/46x8-V43	.434425.003	16,25
ONP-ZHI-8-21/46x8-V43-C	.434425.003-01	
ONP-ZHI-8-42/46x8-V43	.434425.003-02	17,01
ONP-ZHI-8-42/46x8-V43-C	.434425.003-03	



*Dimensions for reference

Figure 2 - Socket ONP-ZHI-8, classification element 30

Table 2

Conventional designation	Designation	Weight, g not more then
ONP-ZHI-8-21/46x8-R30	.434435.005	12,88
ONP-ZHI-8-21/46x8-R30-S	.434435.005-01	
ONP-ZHI-8-42/46x8-R30	.434435.005-02	13,70
ONP-ZHI-8-42/46x8-R30-S	.434435.005-03	

Operating instructions

During mounting and operation of connectors it is necessary to observe instructions, specified in OST V 11 0121. Mounting and wiring is performed as specified in GOST V 23584.