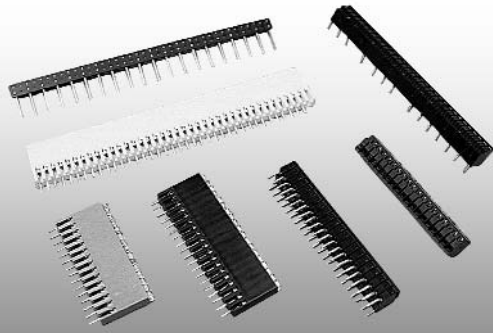


Type of connectors ONp-KG-26, ONP-KG-29



Application

They are used in television, tape recording tapping equipment, cash register machines

Standarts

NSHCHO.364.051 Specification

Design description

- cut in type
- detachable
- climatic version UHL
- contacts plating: without precious metals
- mounting method: soldering, crimping

Characteristics

Mechanical

vibration:

frequency range, Hz- 1...80
acceleration, m/s² - 50 (5g)

multiple impacts:

acceleration, m/s² - 150 (15g)

Reliability requirements

minimum operating time, h
10000

with mate-unmate operations
250

minimum storage life, years
10

Electric

operating voltage (amplitude value),
with contact spacing:
2,5 mm - 700 V
5,0 mm - 1250 V
10,0 mm - 1500 V

current across the contact, not more than
with contact spacing:
2,5 mm - 0,5A
5,0 mm - 1,0 A

resistance of electrical contact, not more
than
0,01 Ohm

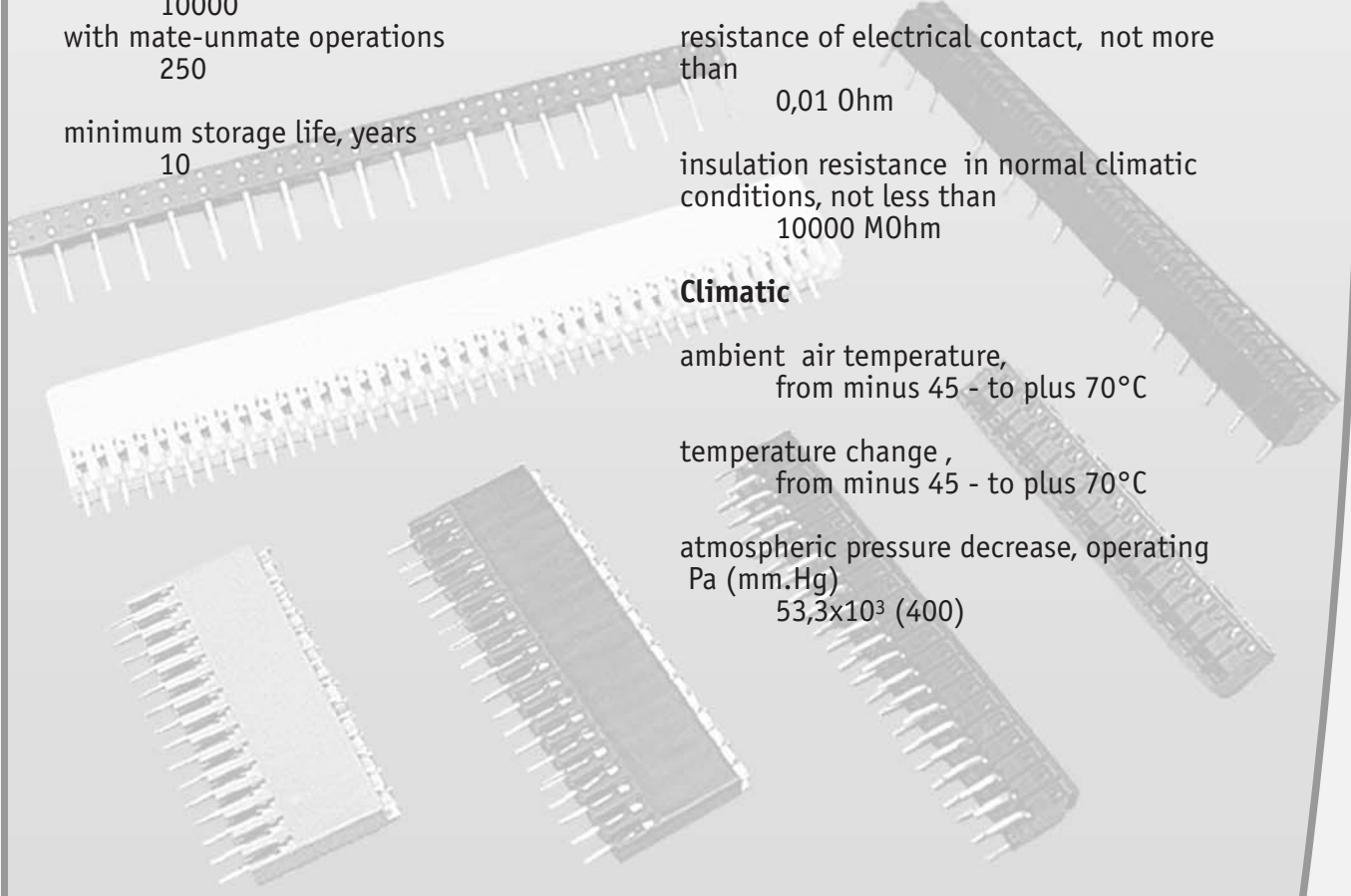
insulation resistance in normal climatic
conditions, not less than
10000 MOhm

Climatic

ambient air temperature,
from minus 45 - to plus 70°C

temperature change ,
from minus 45 - to plus 70°C

atmospheric pressure decrease, operating
Pa (mm.Hg)
53,3x10³ (400)



Designation

ONp-KG-26 -7 /32,5x5 -V -53 -3 /(9-11)

Type of connector:
ONp-KG-26 - for wiring on printed board
ONp-KG-29 - for three dimensional wiring

Number of contacts:

Conventional dimension of connector (plugs, sockets) lengths and width

Type of contacts:

V - plug (male connector)
R - socket (female connector)

Design version:

Plug:

52 - straight
53 - angled

Socket

50 - straight
51 - angled

Conventional designation of contacts installation:

- 1 - contacts are installed in all insert holes;
- 2 - contacts are installed only in the even insert holes;
- 3 - contacts are installed only in the odd insert holes

Additional designation for plugs (sockets), which lack some contacts (the holes 9 and 10 lack contacts)

Note - Additional designation is in brackets. If several holes lack the contacts then the number each hole which lack the contact is separated from other numbers by hyphen.

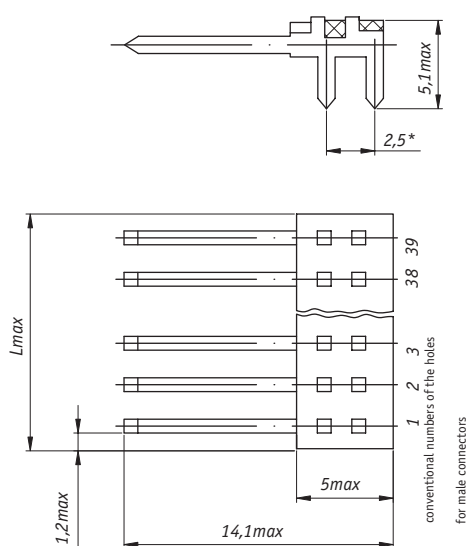
Designation while placing the order:

Plug ONp-KG-26-4/ 10,0x5-V53-1 NSHCHO.364.051 Specification

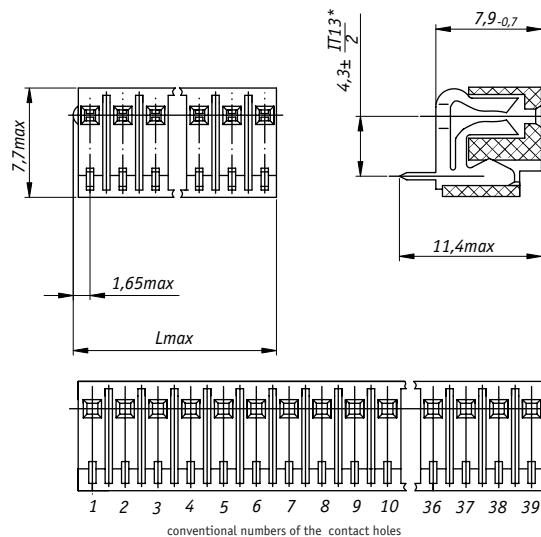
Socket ONp-KG-26-4/ 23,4x7,7-R50-2 NSHCHO.364.051 Specification

Guide element XT8.208.004 NSHCHO.364.051 Specification

Design and dimensions of connectors ONp-KG-26, ONP-KG-29 are given in the figures 1-4 and tables 1-4



*Dimension for reference
Figure 1 - Plug ONp-KG-26



*Dimension for reference
Figure 2 - Socket ONp-KG-26 straight

Table 1

Connector designation	L, mm	Connector designation	L, mm
ONp-KG-26-2/5,0x5-V53-1	5,34	ONp-KG-26-21/52,5x5-V53-1	52,84
ONp-KG-26-3/7,5x5-V53-1	7,84	ONp-KG-26-22/55,0x5-V53-1	55,34
ONp-KG-26-4/10,0x5-V53-1	10,34	ONp-KG-26-23/57,5x5-V53-1	57,84
ONp-KG-26-5/12,5x5-V53-1	12,84	ONp-KG-26-24/60,0x5-V53-1	60,34
ONp-KG-26-6/15,0x5-V53-1	15,34	ONp-KG-26-25/62,5x5-V53-1	62,84
ONp-KG-26-7/17,5x5-V53-1	17,84	ONp-KG-26-26/65,0x5-V53-1	65,34
ONp-KG-26-8/20,0x5-V53-1	20,34	ONp-KG-26-27/67,5x5-V53-1	67,84
ONp-KG-26-9/22,5x5-V53-1	22,84	ONp-KG-26-28/70,0x5-V53-1	70,34
ONp-KG-26-10/25,0x5-V53-1	25,34	ONp-KG-26-29/72,5x5-V53-1	72,84
ONp-KG-26-11/27,5x5-V53-1	27,84	ONp-KG-26-30/75,0x5-V53-1	75,34
ONp-KG-26-12/30,0x5-V53-1	30,34	ONp-KG-26-31/77,5x5-V53-1	77,84
ONp-KG-26-13/32,5x5-V53-1	32,84	ONp-KG-26-32/80,0x5-V53-1	80,34
ONp-KG-26-14/35,0x5-V53-1	35,34	ONp-KG-26-33/82,5x5-V53-1	82,84
ONp-KG-26-15/37,5x5-V53-1	37,84	ONp-KG-26-34/85,0x5-V53-1	85,34
ONp-KG-26-16/40,0x5-V53-1	40,34	ONp-KG-26-35/87,5x5-V53-1	87,84
ONp-KG-26-17/42,5x5-V53-1	42,84	ONp-KG-26-36/90,0x5-V53-1	90,34
ONp-KG-26-18/45,0x5-V53-1	45,34	ONp-KG-26-37/92,5x5-V53-1	92,84
ONp-KG-26-19/47,5x5-V53-1	47,84	ONp-KG-26-38/95,0x5-V53-1	95,34
ONp-KG-26-20/50,0x5-V53-1	50,34	ONp-KG-26-39/97,5x5-V53-1	97,84

Table 2

Connector designation	L, mm	Connector designation	L, mm
ONp-KG-26-2/5,9x7,7-R50-1	5,9	ONp-KG-26-21/53,4x7,7-R50-1	53,4
ONp-KG-26-3/8,4x7,7-R50-1	8,4	ONp-KG-26-22/55,9x7,7-R50-1	55,9
ONp-KG-26-4/10,9x7,7-R50-1	10,9	ONp-KG-26-23/58,4x7,7-R50-1	58,4
ONp-KG-26-5/13,4x7,7-R50-1	13,4	ONp-KG-26-24/60,9x7,7-R50-1	60,9
ONp-KG-26-6/15,9x7,7-R50-1	15,9	ONp-KG-26-25/63,4x7,7-R50-1	63,4
ONp-KG-26-7/18,4x7,7-R50-1	18,4	ONp-KG-26-26/65,9x7,7-R50-1	65,9
ONp-KG-26-8/20,9x7,7-R50-1	20,9	ONp-KG-26-27/68,4x7,7-R50-1	68,4
ONp-KG-26-9/23,4x7,7-R50-1	23,4	ONp-KG-26-28/70,9x7,7-R50-1	70,9
ONp-KG-26-10/25,9x7,7-R50-1	25,9	ONp-KG-26-29/73,4x7,7-R50-1	73,4
ONp-KG-26-11/28,4x7,7-R50-1	28,4	ONp-KG-26-30/75,9x7,7-R50-1	75,9
ONp-KG-26-12/30,9x7,7-R50-1	30,9	ONp-KG-26-31/78,4x7,7-R50-1	78,4
ONp-KG-26-13/33,4x7,7-R50-1	33,4	ONp-KG-26-32/80,9x7,7-R50-1	80,9
ONp-KG-26-14/35,9x7,7-R50-1	35,9	ONp-KG-26-33/83,4x7,7-R50-1	83,4
ONp-KG-26-15/38,4x7,7-R50-1	38,4	ONp-KG-26-34/85,9x7,7-R50-1	85,9
ONp-KG-26-16/40,9x7,7-R50-1	40,9	ONp-KG-26-35/88,4x7,7-R50-1	88,4
ONp-KG-26-17/43,4x7,7-R50-1	43,4	ONp-KG-26-36/90,9x7,7-R50-1	90,9
ONp-KG-26-18/45,9x7,7-R50-1	45,9	ONp-KG-26-37/93,4x7,7-R50-1	93,4
ONp-KG-26-19/48,4x7,7-R50-1	48,4	ONp-KG-26-38/95,9x7,7-R50-1	95,9
ONp-KG-26-20/50,9x7,7-R50-1	50,9	ONp-KG-26-39/98,4x7,7-R50-1	98,4

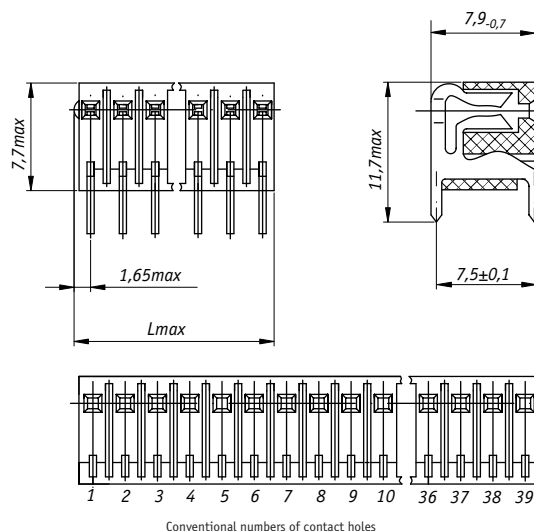


Figure 3 - Socket ONP-KG-26 angled

Table 3

Connector designation	L, mm	Connector designation	L, mm
ONp-KG-26-2/5,9x7,7-R51-1	5,9	ONp-KG-26-21/53,4x7,7-R51-1	53,4
ONp-KG-26-3/8,4x7,7-R51-1	8,4	ONp-KG-26-22/55,9x7,7-R51-1	55,9
ONp-KG-26-4/10,9x7,7-R51-1	10,9	ONp-KG-26-23/58,4x7,7-R51-1	58,4
ONp-KG-26-5/13,4x7,7-R51-1	13,4	ONp-KG-26-24/60,9x7,7-R51-1	60,9
ONp-KG-26-6/15,9x7,7-R51-1	15,9	ONp-KG-26-25/63,4x7,7-R51-1	63,4
ONp-KG-26-7/18,4x7,7-R51-1	18,4	ONp-KG-26-26/65,9x7,7-R51-1	65,9
ONp-KG-26-8/20,9x7,7-R51-1	20,9	ONp-KG-26-27/68,4x7,7-R51-1	68,4
ONp-KG-26-9/23,4x7,7-R51-1	23,4	ONp-KG-26-28/70,9x7,7-R51-1	70,9
ONp-KG-26-10/25,9x7,7-R51-1	25,9	ONp-KG-26-29/73,4x7,7-R51-1	73,4
ONp-KG-26-11/28,4x7,7-R51-1	28,4	ONp-KG-26-30/75,9x7,7-R51-1	75,9
ONp-KG-26-12/30,9x7,7-R51-1	30,9	ONp-KG-26-31/78,4x7,7-R51-1	78,4
ONp-KG-26-13/33,4x7,7-R51-1	33,4	ONp-KG-26-32/80,9x7,7-R51-1	80,9
ONp-KG-26-14/35,9x7,7-R51-1	35,9	ONp-KG-26-33/83,4x7,7-R51-1	83,4
ONp-KG-26-15/38,4x7,7-R51-1	38,4	ONp-KG-26-34/85,9x7,7-R51-1	85,9
ONp-KG-26-16/40,9x7,7-R51-1	40,9	ONp-KG-26-35/88,4x7,7-R51-1	88,4
ONp-KG-26-17/43,4x7,7-R51-1	43,4	ONp-KG-26-36/90,9x7,7-R51-1	90,9
ONp-KG-26-18/45,9x7,7-R51-1	45,9	ONp-KG-26-37/93,4x7,7-R51-1	93,4
ONp-KG-26-19/48,4x7,7-R51-1	48,4	ONp-KG-26-38/95,9x7,7-R51-1	95,9
ONp-KG-26-20/50,9x7,7-R51-1	50,9	ONp-KG-26-39/98,4x7,7-R51-1	98,4

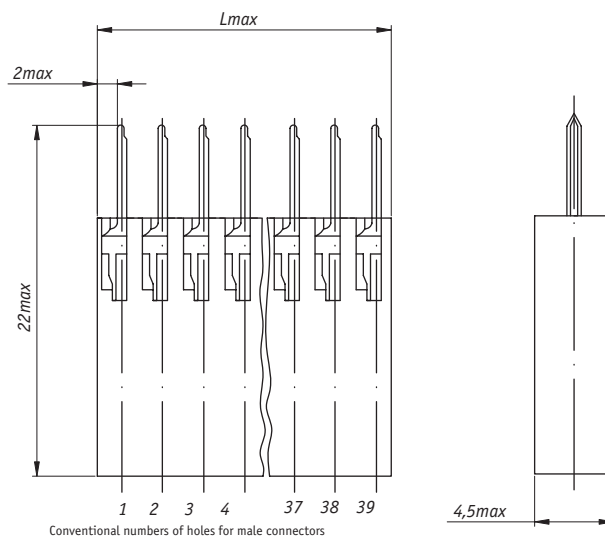


Figure 4 - Plug ONP-KG-29

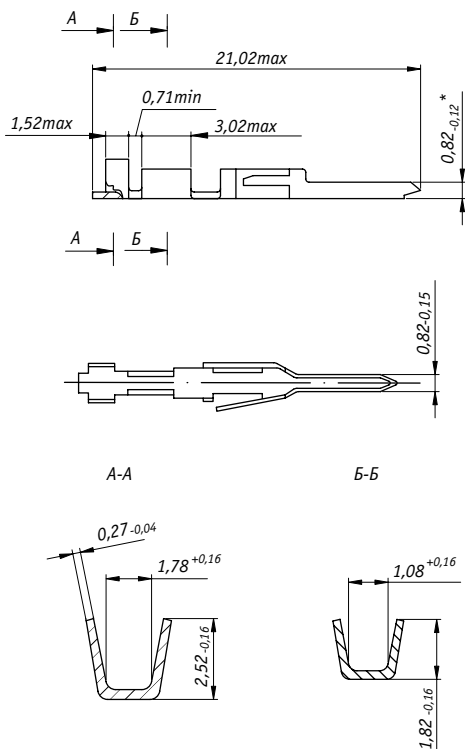
Type of connectors ONp-KG-26, ONP-KG-29



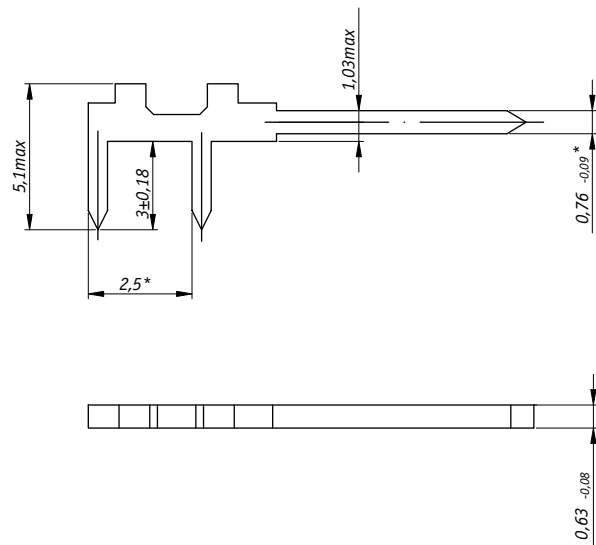
Table 4

Connector designation	L, mm	Connector designation	L, mm
ONP-KG-29-2/6,2x4,5-V52-1	6,2	ONP-KG-29-21/53,7x4,5-V52-1	53,7
ONP-KG-29-3/8,7x4,5-V52-1	8,7	ONP-KG-29-22/56,2x4,5-V52-1	56,2
ONP-KG-29-4/11,2x4,5-V52-1	11,2	ONP-KG-29-23/58,7x4,5-V52-1	58,7
ONP-KG-29-5/13,7x4,5-V52-1	13,7	ONP-KG-29-24/61,2x4,5-V52-1	61,2
ONP-KG-29-6/16,2x4,5-V52-1	16,2	ONP-KG-29-25/63,7x4,5-V52-1	63,7
ONP-KG-29-7/18,7x4,5-V52-1	18,7	ONP-KG-29-26/66,2x4,5-V52-1	66,2
ONP-KG-29-8/21,2x4,5-V52-1	21,2	ONP-KG-29-27/68,7x4,5-V52-1	68,7
ONP-KG-29-9/23,7x4,5-V52-1	23,7	ONP-KG-29-28/71,2x4,5-V52-1	71,2
ONP-KG-29-10/26,2x4,5-V52-1	26,2	ONP-KG-29-29/73,7x4,5-V52-1	73,7
ONP-KG-29-11/28,7x4,5-V52-1	28,7	ONP-KG-29-30/76,2x4,5-V52-1	76,2
ONP-KG-29-12/31,2x4,5-V52-1	31,2	ONP-KG-29-31/78,7x4,5-V52-1	78,7
ONP-KG-29-13/33,7x4,5-V52-1	33,7	ONP-KG-29-32/81,2x4,5-V52-1	81,2
ONP-KG-29-14/36,2x4,5-V52-1	36,2	ONP-KG-29-33/83,7x4,5-V52-1	83,7
ONP-KG-29-15/38,7x4,5-V52-1	38,7	ONP-KG-29-34/86,2x4,5-V52-1	86,2
ONP-KG-29-16/41,2x4,5-V52-1	41,2	ONP-KG-29-35/88,7x4,5-V52-1	88,7
ONP-KG-29-17/43,7x4,5-V52-1	43,7	ONP-KG-29-36/91,2x4,5-V52-1	91,2
ONP-KG-29-18/46,2x4,5-V52-1	46,2	ONP-KG-29-37/93,7x4,5-V52-1	93,7
ONP-KG-29-19/48,7x4,5-V52-1	48,7	ONP-KG-29-38/96,2x4,5-V52-1	96,2
ONP-KG-29-20/51,2x4,5-V52-1	51,2	ONP-KG-29-39/98,7x4,5-V52-1	98,7

On order of the customer it is possible to deliver special male connectors for tree dimension mounting XT7.740.013 and mounting on printed boards XT7.740.013



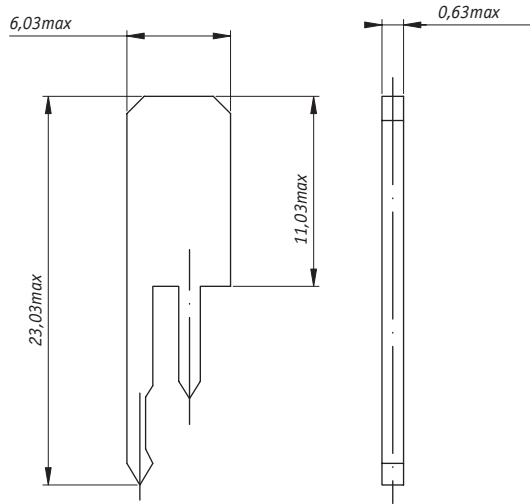
Dimensions after plating
*Dimensions for reference
Male connector XT7.740.013



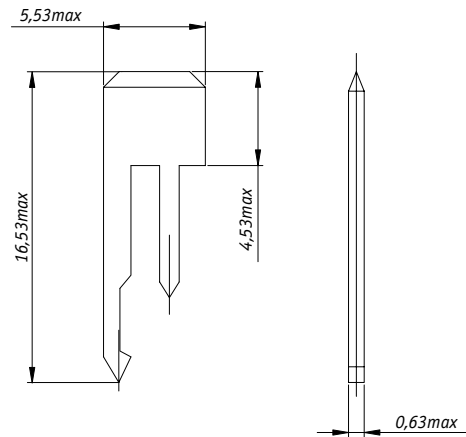
Dimensions after plating
*Dimensions for reference
Male connector XT7.740.014

Gagarin ave, 98, Kharkov, Ukraine 61140 tel 057 737-36-88, fax 057 736-07-60

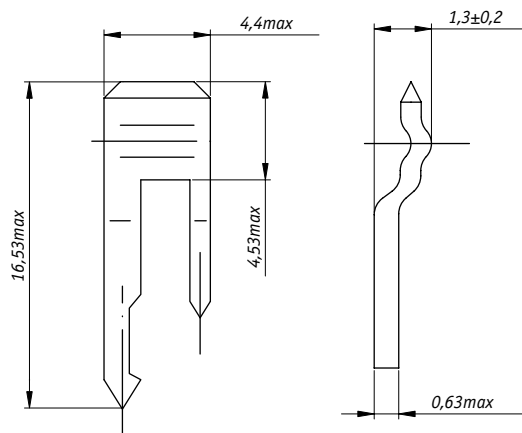
For exception of an opportunity of a wrong joint it is recommended to maintain connectors with directing and clamps which form an individual key (blocking). In this case in the socket for installation directing and clamps free contact apertures should be stipulated. Fastening directing and clamps, except for clamp{fixing agent} XT8.362.002, is made by the soldering.



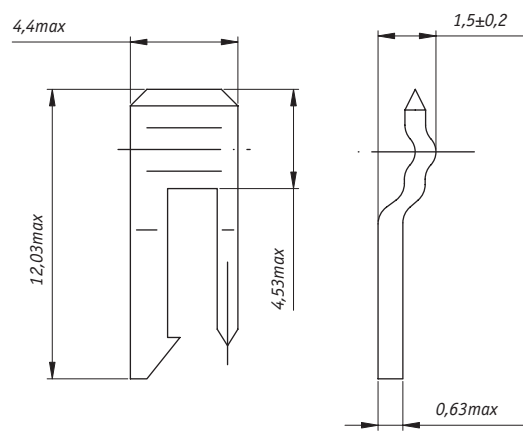
Dimensions after plating
Guide element XT8.208.004



Dimensions after plating
Fixing element XT8.362.000



Dimensions after plating
Fixing element XT8.362.001



Dimensions after plating
Fixing element XT8.362.002