

Type of connectors ONP-KG-56



Field of application

They are used in personal computers, cash register machines and the other electronic equipment

Standarts

NESK.434415.002 Specification
Connectors are interchangeable and inter-matable with connectors ONP-KG-56, manufactured as specified in NSHCH 0.364.077 Specification

Design description

- cut in type
- climatic version UHL
- plating: gold and without precious metals

- mounting method: soldering, cutting into the ribbon cable

Characteristics

Mechanical

vibration:
frequency range, Hz - 1...200
acceleration, m/s^2 - 50 (50g)

multiple impacts:
acceleration, m/s^2 - 400 (40g)

Reliability requirements

minimum operating time, h
10000
with mate -unmate operations
250

minimum storage life, with gold contact plating
12 years
with non-precious metal contact plating
6 years

Electric

operating voltage, (amplitude value)
250 V

operating current across the contact,
not more than
1 A

resistance of electric contact, not more than for contacts with gold plating (taking into account cable-contact resistance)
0,04 Ohm
for contacts with non-precious metal plating (taking into account cable-contact resistance)
0,06 Ohm

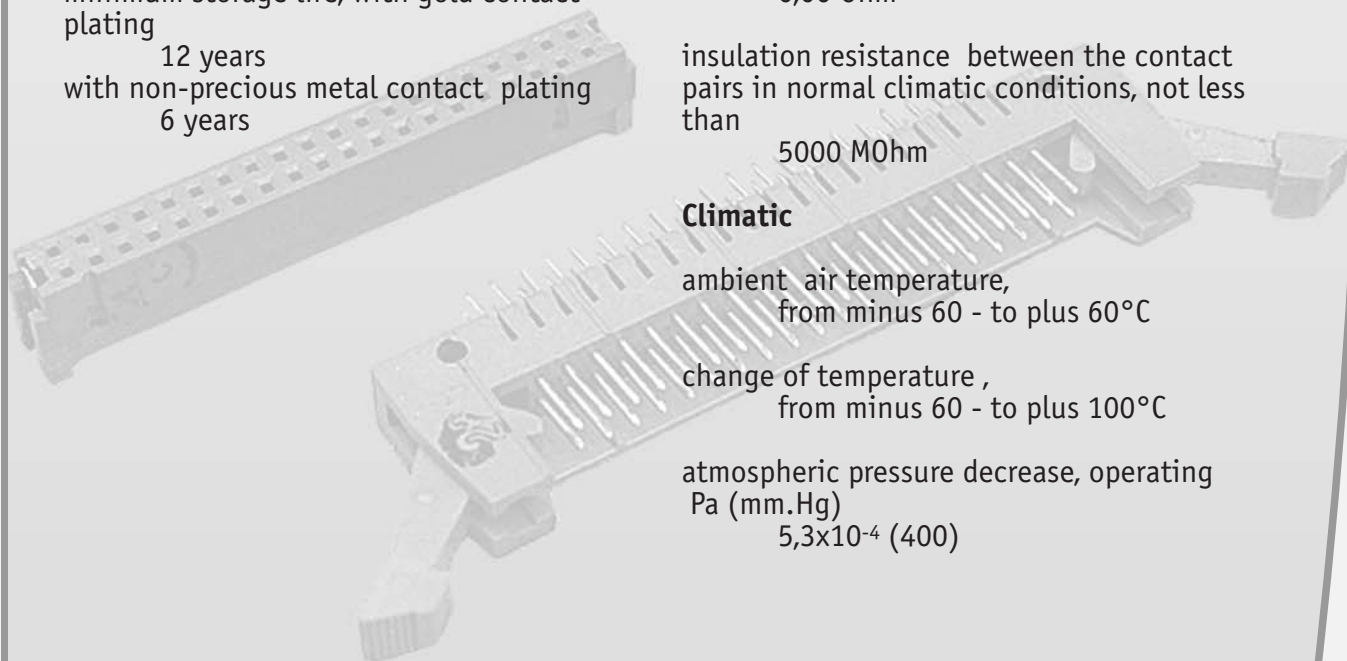
insulation resistance between the contact pairs in normal climatic conditions, not less than
5000 MOhm

Climatic

ambient air temperature,
from minus 60 - to plus 60°C

change of temperature ,
from minus 60 - to plus 100°C

atmospheric pressure decrease, operating
Pa (mm.Hg)
 $5,3 \times 10^{-4}$ (400)



Designation						
ONP-KG-56-	60/	95,5x7,4-	V	52-	0	
Type: ONP-KG-56-connector with spacing 2,5 mm						
Number of contacts: 60 (10,16,24,30,40,48)						
Conventional dimension of connector (plugs, sockets)						
Type of contacts: V - plug (male connector) R - socket (female connector)						
Conventional number of design type: 50 - straight socket 52 - straight plug 53 - angled plug						
The plugs (sockets) with non-precious metals contact plating designated additionally						

Designation while placing the order:

Plug ONP-KG-56-48/80,5x 7,4-V53 NESK.434415.002 Specification
 Socket ONP-KG-56-60/80,4x 6,5-R50 NESK.434415.002 Specification

Table 1

Conventional designation	Lmax	A	A1	n, pcs	Weight, g not more than
ONP-KG-56-10/33,0x7,4-V52 ONP-KG-56-10/33,0x7,4-V52-0	33,0	10,0	20,0	4	6,0
ONP-KG-56-16/40,5x7,4-V52 ONP-KG-56-16/40,5x7,4-V52-0	40,5	17,5	27,5	7	8,0
ONP-KG-56-24/50,5x7,4-V52 ONP-KG-56-24/50,5x7,4-V52-0	50,5	27,5	37,5	11	10,5
ONP-KG-56-30/58,0x7,4-V52 ONP-KG-56-30/58,0x7,4-V52-0	58,0	35,0	45,0	14	12,5
ONP-KG-56-40/70,5x7,4-V52 ONP-KG-56-40/70,5x7,4-V52-0	70,5	47,5	57,5	19	13,5
ONP-KG-56-48/80,5x7,4-V52 ONP-KG-56-48/80,5x7,4-V52-0	80,5	57,5	67,5	23	16,5
ONP-KG-56-60/95,5x7,4-V52 ONP-KG-56-60/95,5x7,4-V52-0	95,5	72,5	82,5	29	19,0

Table 2

Conventional designation	Lmax	A	A1	n, pcs	Weight, g not more than
ONP-KG-56-10/33,0x7,4-V53 ONP-KG-56-10/33,0x7,4-V53-0	33,0	10,0	20,0	4	6,0
ONP-KG-56-16/40,5x7,4-V53 ONP-KG-56-16/40,5x7,4-V53-0	40,5	17,5	27,5	7	8,0
ONP-KG-56-24/50,5x7,4-V53 ONP-KG-56-24/50,5x7,4-V53-0	50,5	27,5	37,5	11	10,5
ONP-KG-56-30/58,0x7,4-V53 ONP-KG-56-30/58,0x7,4-V53-0	58,0	35,0	45,0	14	12,5
ONP-KG-56-40/70,5x7,4-V53 ONP-KG-56-40/70,5x7,4-V53-0	70,5	47,5	57,5	19	13,5
ONP-KG-56-48/80,5x7,4-V53 ONP-KG-56-48/80,5x7,4-V53-0	80,5	57,5	67,5	23	16,5
ONP-KG-56-60/95,5x7,4-V53 ONP-KG-56-60/95,5x7,4-V53-0	95,5	72,5	82,5	29	19,0

Design and dimensions of connectors are shown in figures 1-3 and tables 1-3

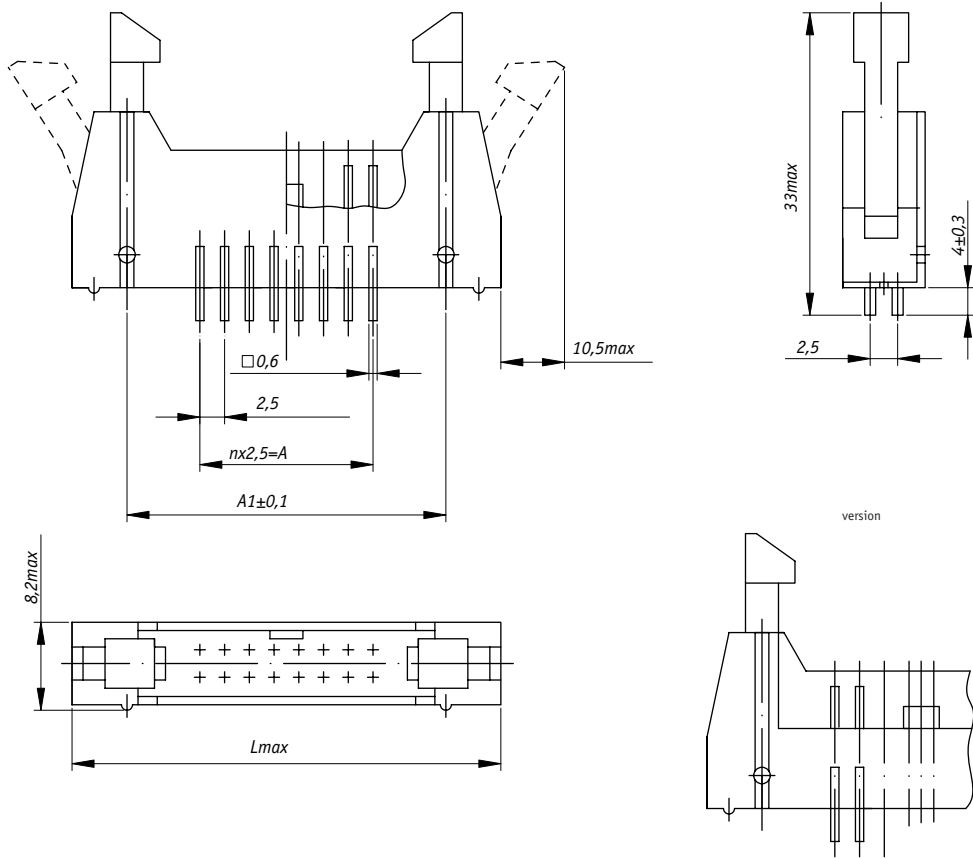


Figure 1 - Plug ONP-KG-56 straight

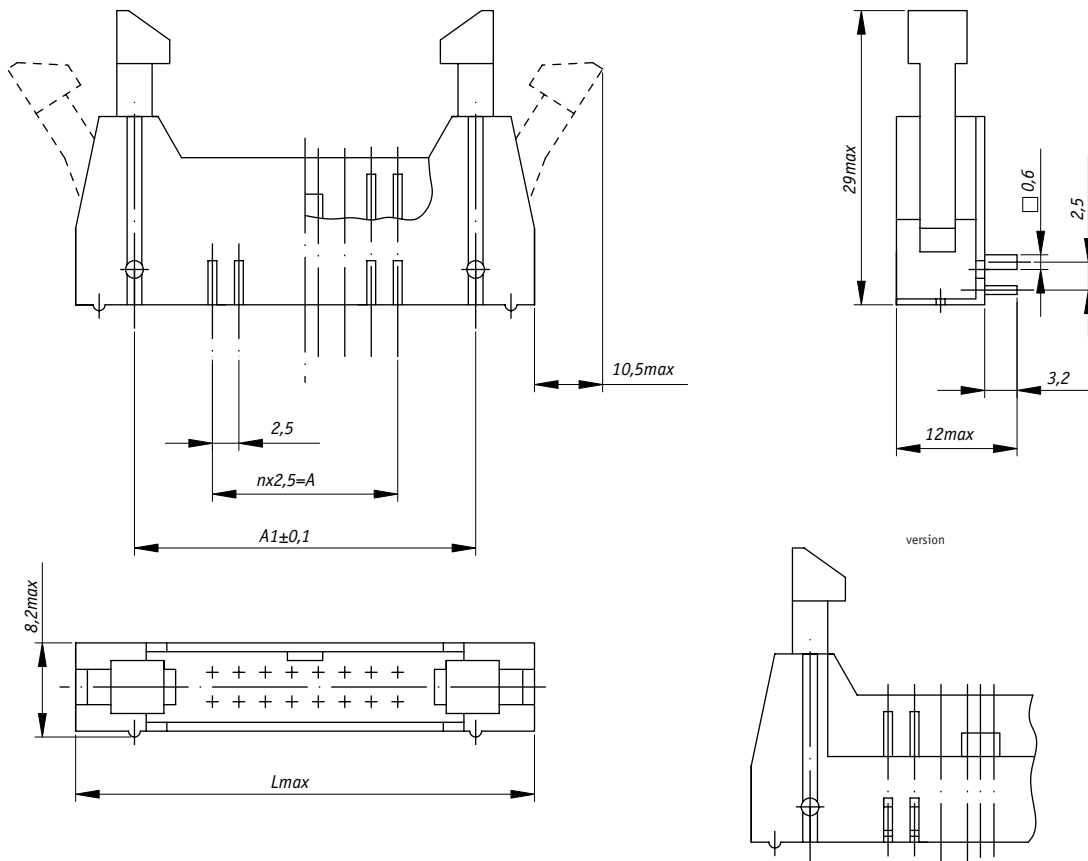
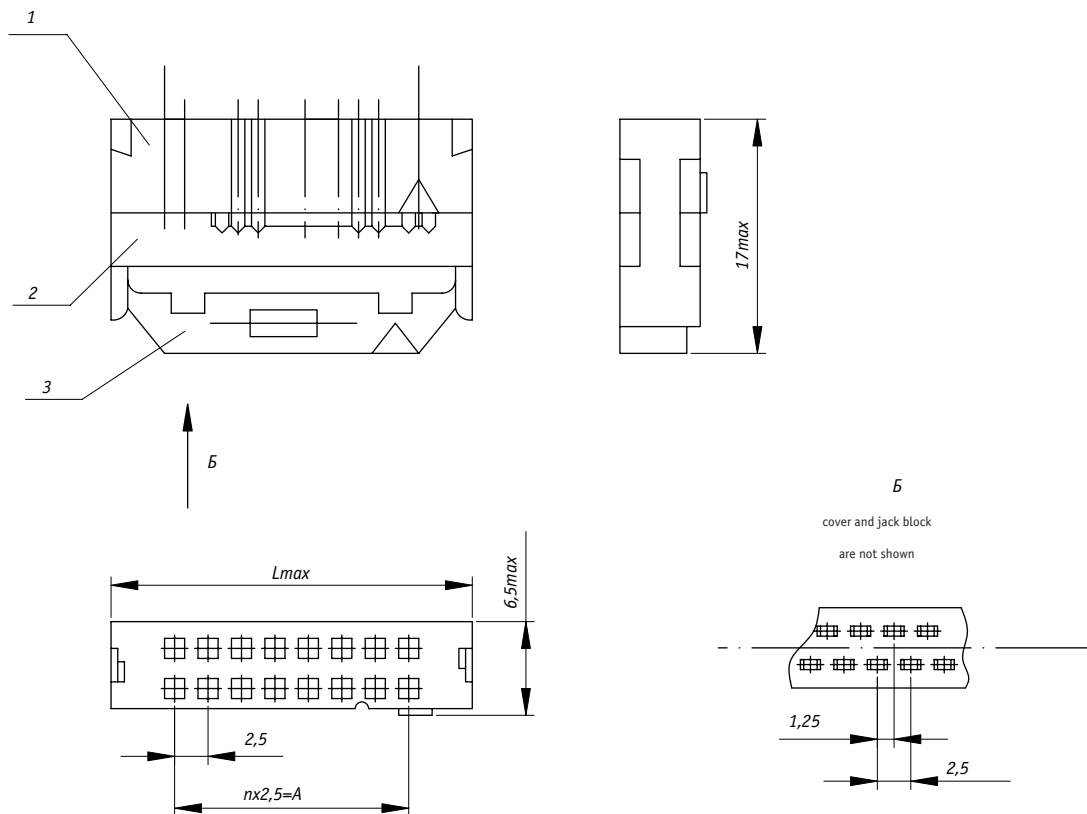


Figure 2 - Plug ONP-KG-56 angled



1 - insert with jack, 2 - cover, 3 - jack block

Figure 3 - Socket ONP-KG-56

Table 3

Conventional designation	Lmax	A	n, pcs	Weight, g not more than
ONP-KG-56-10/17,9x6,5-R50 ONP-KG-56-10/17,9x6,5-R50-0	17,9	10,0	4	4
ONP-KG-56-16/25,4x6,5-R50 ONP-KG-56-16/25,4x6,5-R50-0	25,4	17,5	7	5
ONP-KG-56-24/35,4x6,5-R50 ONP-KG-56-24/35,4x6,5-R50-0	35,4	27,5	11	7
ONP-KG-56-30/42,9x6,5-R50 ONP-KG-56-30/42,9x6,5-R50-0	42,9	35,0	14	8
ONP-KG-56-40/55,4x6,5-R50 ONP-KG-56-40/55,4x6,5-R50-0	55,4	47,5	19	10
ONP-KG-56-48/65,4x6,5-R50 ONP-KG-56-48/65,4x6,5-R50-0	65,4	57,5	23	12
ONP-KG-56-60/80,4x6,5-R50 ONP-KG-56-60/80,4x6,5-R50-0	80,4	72,5	29	15