

## Application

They are used in radio electronic and radio engineering equipment as connectors of the general type.

## Standarts

OST V 11 0121-91  
AVO.364.032 Specification

## Design description

- quick mating c with spring fixing of the mated position
- coding element
- climatic version V

- contacts plating: silver
- mounting method: soldering
- dust splash-proof along the housings joints

## Characteristics

### Mechanical

vibration:  
frequency range, Hz- 1...2000  
acceleration,  $m/s^2$  - 294 (30g)

single impacts:  
acceleration,  $m/s^2$  - 4905 (500g)

multiple impacts:  
acceleration,  $m/s^2$  - 392 (40g)

linear loads:  
acceleration,  $m/s^2$  - 490 (50g)

### Reliability requirements

minimum operating time, h  
10000  
with mate-unmate operations  
1500

minimum storage life, years  
15

### Electric

maximum operating voltage, not more than  
500V

operating current across the contact,  
not more than, A  
Ø2,5 - 20  
Ø3,5 - 50  
Ø5,5 - 100

resistance of electric contact, not more than,  
mOhm  
Ø2,5 - 2,0  
Ø3,5 - 1,0  
Ø5,5 - 0,7

insulation resistance in normal climatic  
conditions, not less than  
5000 MOhm

### Climatic

ambient air temperature, °C  
from minus 60 - to plus 85

change of temperature,  
from minus 60 °C- to plus 145°C  
(taking in the account the temperature of  
contacts overheat)




atmospheric pressure decrease, operating  
Pa (mm.Hg)  
2000 (15)

Designation						
	RBN2	-4	-18	SH	7	-V
Type						
Number of contacts	4 (9,14,23,26,30,31,50)					
Contacts combination:	18 - the contacts with diameter 2,5 mm 26 - the contacts with diameter 2,5 и 5,5 mm 34 - the contacts with diameter 2,5; 3,5; 5,5 mm					
Type of contacts:	SH - plug (male connector) G - socket (female connector)					
Design version	2 - modular connector 7 - cable connector					
Universal climatic version						

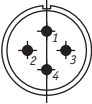
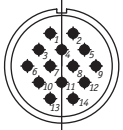
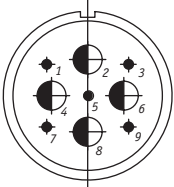
### Designation while placing the order:

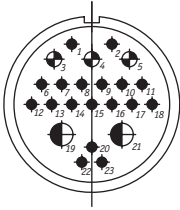
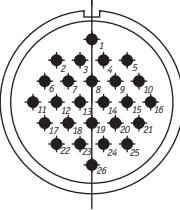
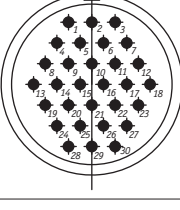
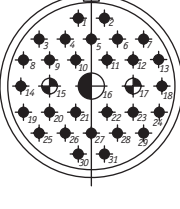
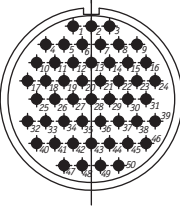
Plug RBN2-14-18SH7-V AV0.364.032 Specification  
 Socket RBN2-23-34G2-V AV0.364.032 Specification  
 Plug without backshell RBN2-4-18SH2-V AV0.364.032 Specification

### Conventional designation of the contacts

Contact diameter, mm	2,5	3,5	5,5
Conventional designation			

### Contacts location diagrams

Contacts location diagrams	Number of the contacts combination diagrams	Contact diameter, mm	Number of contacts, pcs
	18	2,5	4
	18	2,5	14
	26	2,5	5
		5,5	4

	34	2,5	18
		3,5	3
		5,5	2
	18	2,5	26
	18	2,5	30
	34	2,5	28
		3,5	2
		5,5	1
	18	2,5	50

Design and dimensions of connectors RBN2 are shown in figures 1,2 and tables 1,2

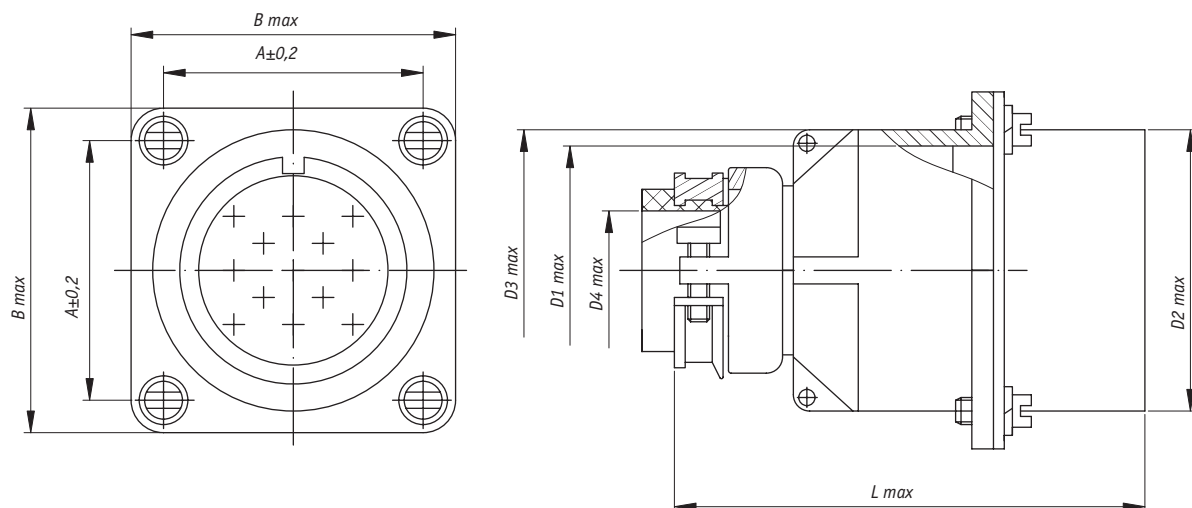


Figure 1 - Modular plug (socket)

Table 1

Designation	$D_1$ , MM	$D_2$ , MM	$D_3$ , MM	$D_4$ , MM	B, MM	A, MM	L, MM	Weight, g, not more than
RBN2-4-18SH2-V RBN2-4-18G2-V	20,5	27	25,5	9,2	31,5	23	97	90 100
RBN2-14-18SH2-V RBN2-14-18G2-V	40,5	46	47,0	17,2	48,5	40	104	230 260
RBN2-9-26SH2-V RBN2-9-26G2-V	48,5	54	55,1	23,3	58,6	48	124	350 400
RBN2-26-18SH2-V RBN2-26-18G2-V	48,5	54	55,1	23,3	58,6	48	104	340 390
RBN2-23-34SH2-V RBN2-23-34G2-V	55,5	60	62,1	32,3	64,6	52	104	380 440
RBN2-30-18SH2-V RBN2-30-18G2-V	55,5	60	62,1	26,3	64,6	52	104	360 425
RBN2-31-34SH2-V RBN2-31-34G2-V	60,5	66	67,1	32,3	68,6	54	104	410 470
RBN2-50-18SH2-V RBN2-50-18G2-V	60,5	66	67,1	32,3	68,6	54	104	400 480

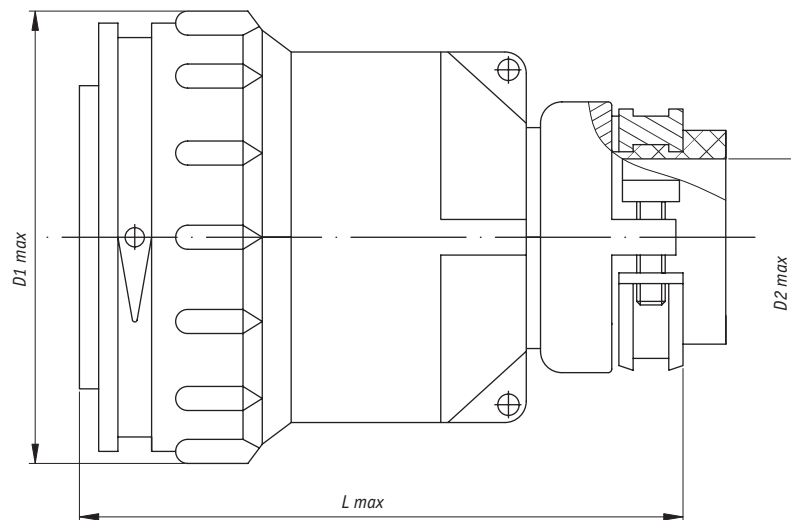


Figure 2 - Cable plug (socket)

Table 2

Designation	$D_1$ , MM	$D_2$ , MM	L, MM	Weight, g, not more than
RBN2-4-18SH7-V RBN2-4-18G7-V	34,5	9,2	91	80 90
RBN2-14-18SH7-V RBN2-14-18G7-V	53,6	17,2	102	205 250
RBN2-9-26SH7-V RBN2-9-26G7-V	61,6	23,3	122	330 380
RBN2-26-18SH7-V RBN2-26-18G7-V	61,6	23,3	102	320 380
RBN2-23-34SH7-V RBN2-23-34G7-V	67,6	32,3	102	325 395
RBN2-30-18SH7-V RBN2-30-18G7-V	67,6	26,3	102	320 390
RBN2-31-34SH7-V RBN2-31-34G7-V	73,6	32,3	102	340 440
RBN2-50-18SH7-V RBN2-50-18G7-V	73,6	32,3	102	350 440