



Application

They are used in radio electronic and radio engineering equipment as connectors of the general type. They are mated with respective cable portions of connectors of the type R as specified in GEO.364.112 Specification and bRO.364.034 Specification

Standarts

OST V 11 0121-91
GEO.364.113 Specification
bRO.364.041 Specification

Design description

- screw mating
- air tight (with pressure drop to $9,8 \times 10^4$ Pa (1 kgf/sm²) air leakage should not exceed 2 l/h)
- climatic version UHL
- contacts plating: silver
- mounting method: soldering

Characteristics

Mechanical

- vibration:
 - frequency range, Hz - 1...5000
 - acceleration, m/s² - 300 (30g)
- single impacts:
 - acceleration, m/s² - 5000 (500g)
- multiple impacts:
 - acceleration, m/s² - 350 (35g)
- linear loads:
 - acceleration, m/s² - 2000 (200g)

Reliability requirements

- minimum operating time, h
 - 1000
 - with mate-unmate operations
 - 500
- minimum storage life, years
 - 15

Electric

- maximum direct current operating voltage, not more than
 - 2100 V
- operating current across the contact, not more than
 - (ref. contact location diagrams)
- resistance of electric contact, not more than, mOhm
 - for connectors RG - 2,5
 - for connectors RG-P - 3,5

insulation resistance in normal climatic conditions, not less than 5000 MOhm

Climatic

- ambient air temperature, from minus 60 - to plus 85°C
- change of temperature, from minus 60 °C- to plus 115°C (taking in the account the temperature of contacts overheat)
- atmospheric pressure decrease, operating Pa (mm.Hg)
 - $1,3 \times 10^{-4}$ (10⁻⁶)

Designation							
	RG	20	PK	4	EA	SH	4
Type							
Dimension type							
Design version:							
Fixed connector							
P - without branch pipe							
PK - with straight branch pipe							
SK - with angled branch pipe							
PKP - adapter							
Number of contacts (ref. contact location diagrams)							
Type of the branch pipe							
EA - for shielded (ref. note 1)							
N - for non-shielded cable							
Type of contacts:							
Fixed connector							
SH - plug (male connector)							
Adapter:							
SH - plug (male connector)							
Combination of contacts (ref. contact location diagrams)							


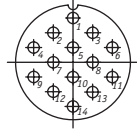
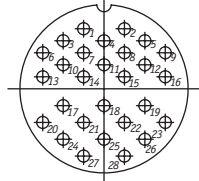
Application
 In fixed connector without branch pipe and adapter, there is no nut for fixing the cable.
 Designation "EA" - conventional.

Designation while placing the order:

Plug RG20PK4EASH4 GE0.364.113 Specification
 Adapter RG20PKP4EASH4 GE0.364.113 Specification

Contact location diagrams for connectors of the RG type

The contacts with diameter 1,5 mm

Conventional dimension of connector	Contact location diagrams	Number of contacts	Contact combination number	Operating current, A not more than
20		4	4	10
36		14	5	10
48		28	1	9

Diagrams of the contact location of RG-P type connectors

The contacts with diameter 1,5 mm

Conventional dimension of connector	Contact location diagrams	Number of contacts	Contact combination number	Operating current, A not more than
20		4	4	10
36		14	5	10
48		28	1	9

Design and dimensions of connectors of the RG and RG-P type are given in Figures 1-6 and tables 1-6

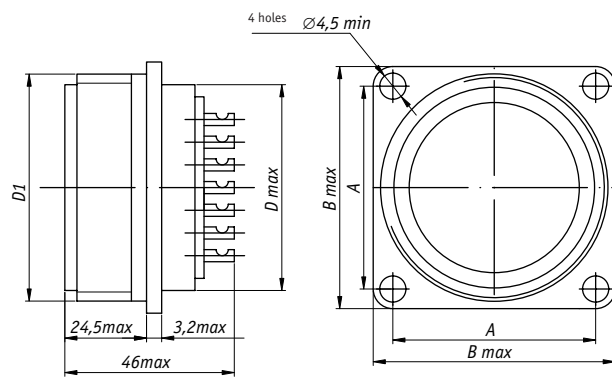


Figure 1 - Fixed plugs of the RG type without branch pipe

Table 1

Connector conventional dimension	Dimensions, mm			
	A	B	D	D ₁
20	22±0,1	32	20	M24x1,5
36	34±0,2	46	36	M39x1,5
48	48±0,2	60	48	M52x1,5

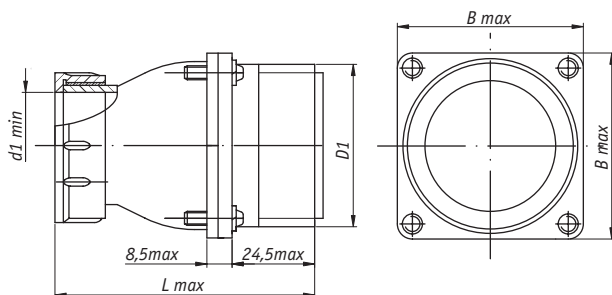


Figure 2 - Fixed plugs of RG type with straight branch pipes and the nut for shielded cable

Table 2

Connector conventional dimension	Dimensions, mm			
	B	D ₁	d ₁	L
20	32	M24x1,5	17	59,4
36	46	M39x1,5	27	70,4
48	60	M52x1,5	36	72,4

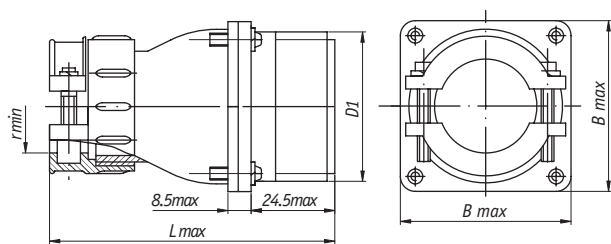


Figure 3 - Fixed plugs of RG type with straight branch pipe and the nut for non-shielded cable

Table 3

Connector conventional dimension	Dimensions, mm			
	B	D ₁	r	L
20	32	M24x1,5	7,0	71
36	46	M39x1,5	11,5	85
48	60	M52x1,5	16,0	87

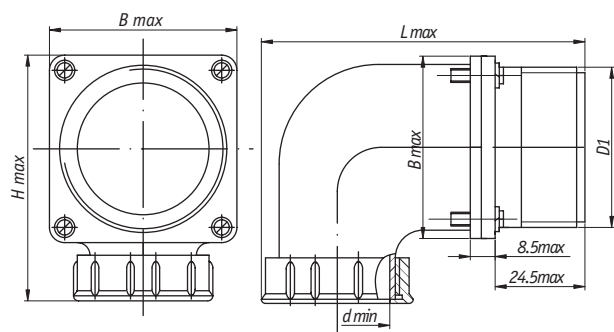


Figure 4 - Fixed plugs of RG type with branch pipe and nut for shielded cable

Table 4

Connector conventional dimension	Dimensions, mm				
	B	D ₁	d ₁	L	H
20	32	M24x1,5	17	69,3	44,8
36	46	M39x1,5	27	83,3	60,8
48	60	M52x1,5	36	97,8	75,8

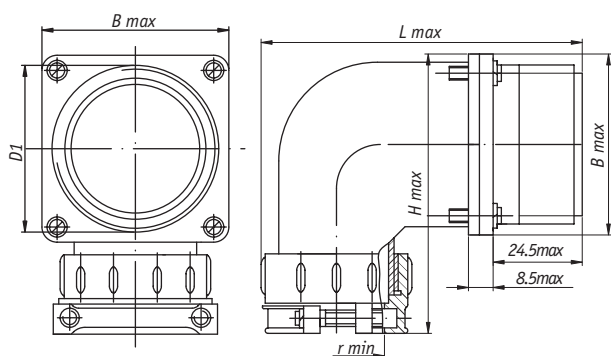


Figure 5 - Fixed plugs of RG type with angled branch pipe and nut for non-shielded cable

Table 5

Connector conventional dimension	Dimensions, mm				
	B	D ₁	r	L	H
20	32	M24x1,5	7,0	69,0	56,4
36	46	M39x1,5	11,5	83,0	75,4
48	60	M52x1,5	16,0	99,5	90,4

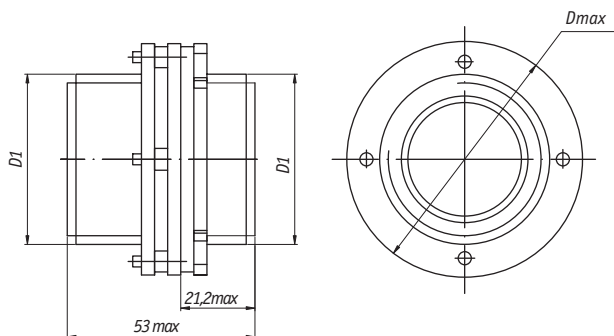


Figure 6 - Adapter of the RG-P type (two sided branch plug)

Table 6

Connector conventional dimension	Dimensions, mm	
	D ₁	D
20	M24x1,5	38
36	M39x1,5	53
48	M52x1,5	66