

Application

They are used in radio electronic and radio engineering equipment as connectors of general type

Standarts

OST V 11 0121-91
OY00.364.044 Specification

Design description

- cut in mating
- climatic version UHL
- contacts plating: gold or silver
- mounting method: soldering

Characteristics

Mechanical

- vibration:
- frequency range, Hz - 1...2500
 - acceleration, m/s^2 - 150 (15g)
- single impact:
- acceleration, m/s^2 - 10000 (1000g)
- multiple impacts:
- acceleration, m/s^2 - 1500 (150g)
- linear loads:
- acceleration, m/s^2 - 1000 (100g)

Reliability requirements

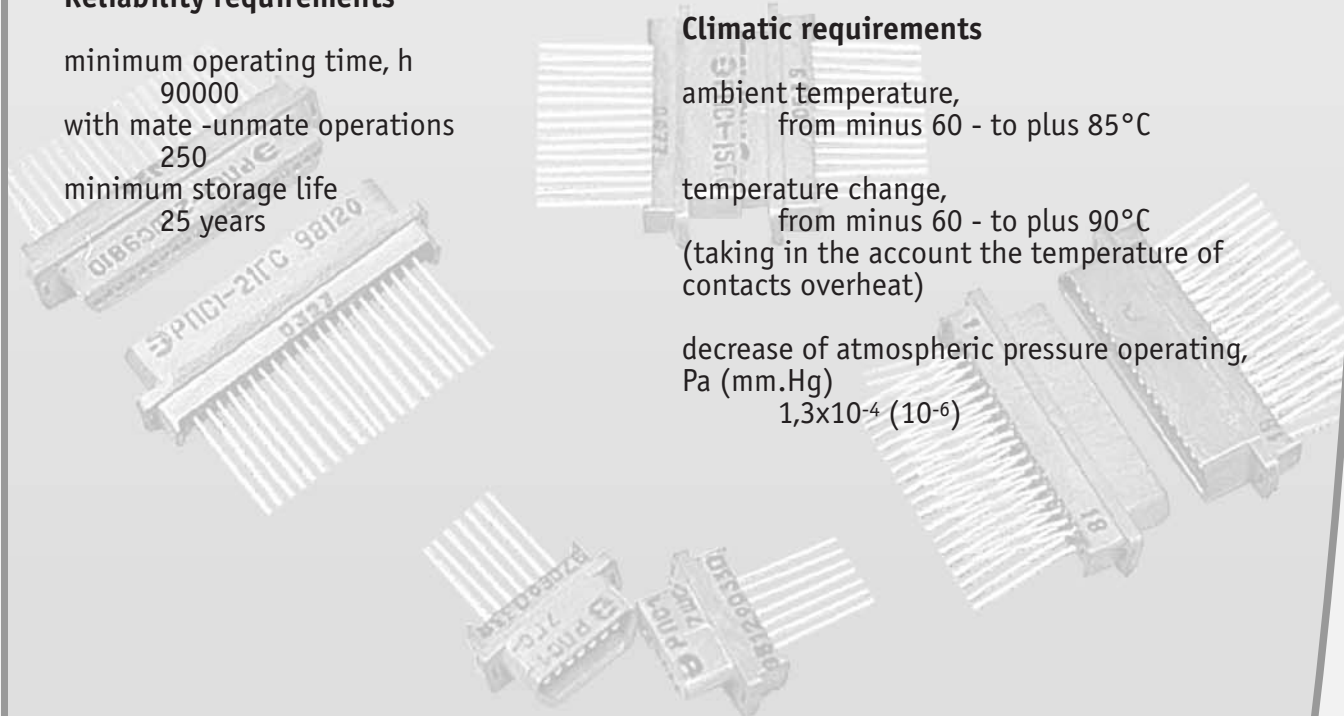
- minimum operating time, h
90000
- with mate -unmate operations
250
- minimum storage life
25 years

Electrical

- maximum operating voltage
of direct current, not more than
100 V
- operating current across the contact ele-
ment, not more than
0,3 A
- resistance of electric contact, not more than
10 mOhm
- insulation resistance in normal climatic,
not more than
1000 mOhm

Climatic requirements

- ambient temperature,
from minus 60 - to plus 85°C
- temperature change,
from minus 60 - to plus 90°C
(taking in the account the temperature of
contacts overheat)
- decrease of atmospheric pressure operating,
Pa (mm.Hg)
 $1,3 \times 10^{-4}$ (10^{-6})



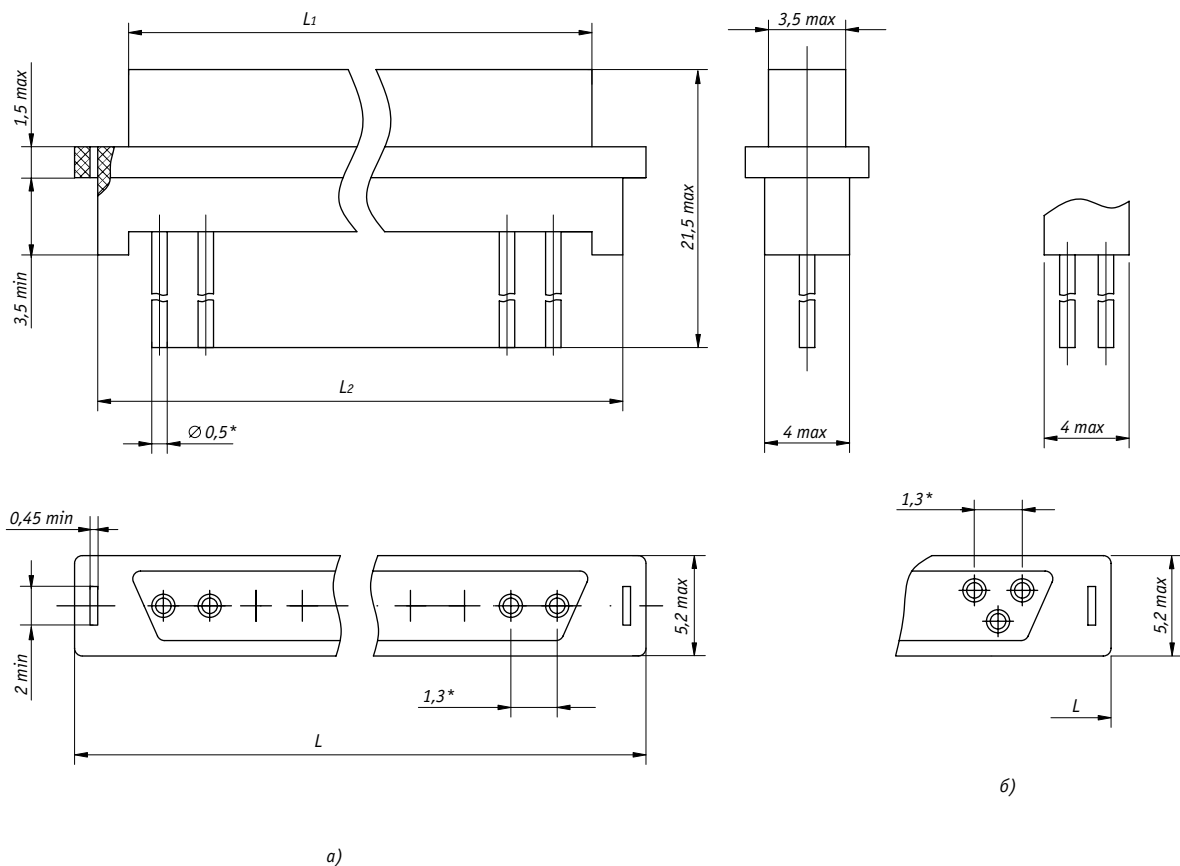
Designation

	RPS1	-21	G	-S
Type				
Number of contacts	7, 15, 21, 37			
Type of contacts :				
SH - plug (male connector)				
G - socket (female connector)				
Additional designation is used only for contactors with silver plating of working (contact) portions of the contacts.				

Designation while placing the order

Plug RPS1-7SH OYU0.364.044 Specification
 Socket RPS1-21G-S OYU0.364.044 Specification

Design and dimensions of connectors RPS1, as well as connectors unmating force and weight are shown in Figures 1, 2 and tables 1,2



*Dimension for reference

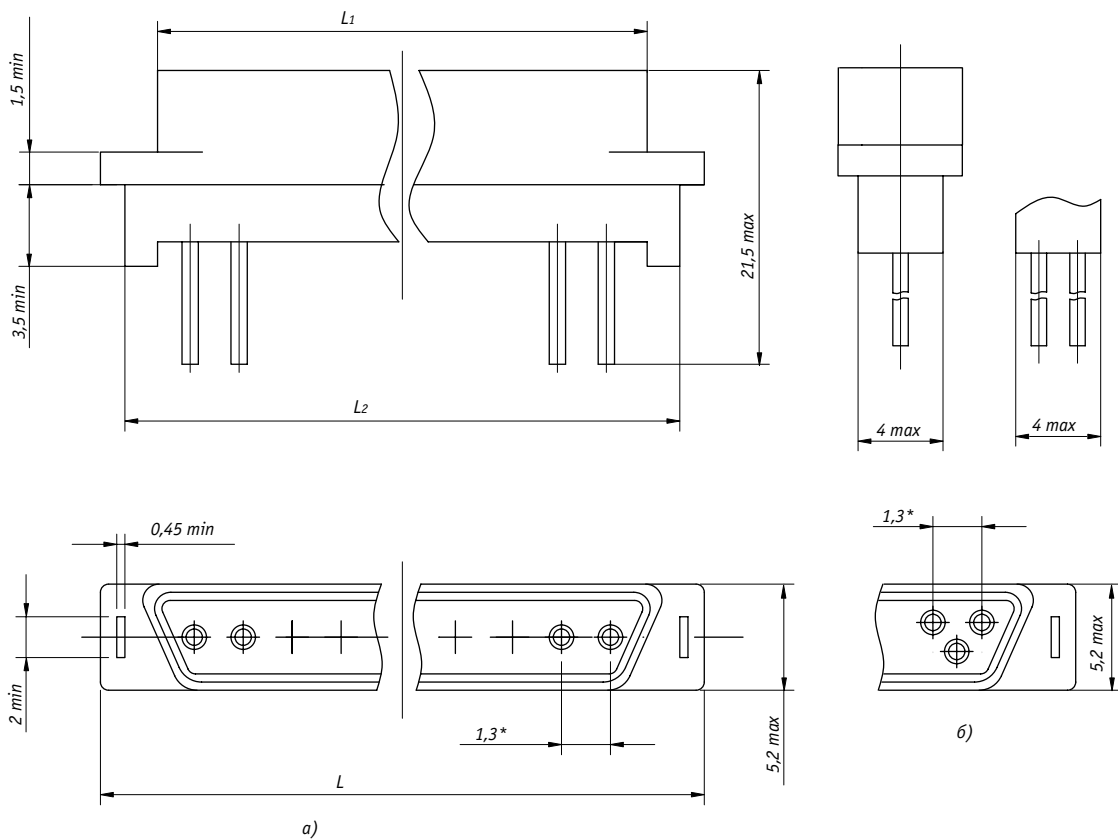
a) single row plug

b) double row plug

Figure 1 - Plug

Table 1

Designation	L_{max} mm	L_{1max} mm	L_{2max} mm	Weight, g	Plug socket un mating force, N (kgf)
RPS1-7SH RPS1-7SH-S	16,0	10,5	13,5	3,0	40 (4)
RPS1-15SH RPS1-15SH-S	26,5	21,0	24,0	3,5	60 (6)
RPS1-21SH RPS1-21SH-S	34,0	28,5	31,5	5,0	80 (8)
RPS1-37SH RPS1-37SH-S	31,5	26,0	29,0	3,5	100 (10)



*Dimension for reference

a) single row socket

b) double row socket

Figure 2 - Socket

Table 2

Designation	L_{max} mm	L_{1max} mm	L_{2max} mm	Weight, g	Plug socket unmating force, N (kgf)
RPS1-7G RPS1-7G-C	16,0	12,2	13,5	3,0	40 (4)
RPS1-15G RPS1-15G-C	26,5	22,7	24,0	3,5	60 (6)
RPS1-21G RPS1-21G-C	34,0	30,2	31,5	5,0	80 (8)
RPS1-37G RPS1-37G-C	31,5	27,8	29,0	3,5	100 (10)

Operating instructions

While operating and mounting of connectors one should be guided by instructions, laid down in OST V 11 0121. Mounting and wiring is done as specified in GOST 23584.