

Field of application

Application they are used in radio electronic and radio engineering equipment as the connectors of the general type

Standarts

OST V 11 0121-91
DJEA0.364.012 Specification

Design description

- screw mating
- climatic version UHL
- contact plating: silver
- mounting method: soldering

Characteristics

Mechanical

- vibration:
frequency range, Hz - 1...2000
acceleration, m/s^2 - 300 (30g)
- single impacts:
acceleration, m/s^2 - 10000 (1000g)
- multiple impacts:
acceleration, m/s^2 - 1500 (150g)
- linear load:
acceleration, m/s^2 - 1000 (100g)

Reliability requirements

- minimum operating time, h
10000
with the mate -unmate operations
500
- minimum storage life, years
25

Electric

- operating voltage, (amplitude value)
350 V
- operating current across the contact,
not more than
1,5 A
- resistance of electric contact, not more than
10 mOhm
- insulation resistance in normal climatic
conditions, not less than
5000 MOhm

Climatic

- ambient air temperature,
from minus 60 - to plus 85°C
- temperature change,
from minus 60 - to plus 115°C
(taking into account contacts overheat
temperature)
- atmospheric pressure decrease, operating
Pa (mm.Hg)
 $0,65 \times 10^3$ (5)

Designation

	SNO48	-108	/62x40	V	-6	M	-V
Connector type							
Number of contacts							
Conventional dimension of plug (socket) (55x40; 62x40; 82x40)							
Type of contacts: V - plug (male connector) R - socket (female connector)							
Design version: 6 - fixed portion without backshell 8 - fixed portion with angled backshell 10 - cable portion with straight backshell 11 - cable portion with angled backshell							
Additional designation - only for connectors (plugs, sockets) with variator insert without slotted teeth.							
Universal climatic version							

Note:

Designation of plugs (sockets) in design documents of the other products includes the version number, which determines variator position as specified in DJEA0.364.012 Specification. Version number is determined and marked by the user after installation of the variator.

Designation while placing the order:

Plug SNO48-108/62x40V-6M-V DJEA0.364.012 Specification
 Socket SNO48-108/82x40R-11-V DJEA0.364.012 Specification

Design and dimensions of connectors SNO48 are given in figures 1-4

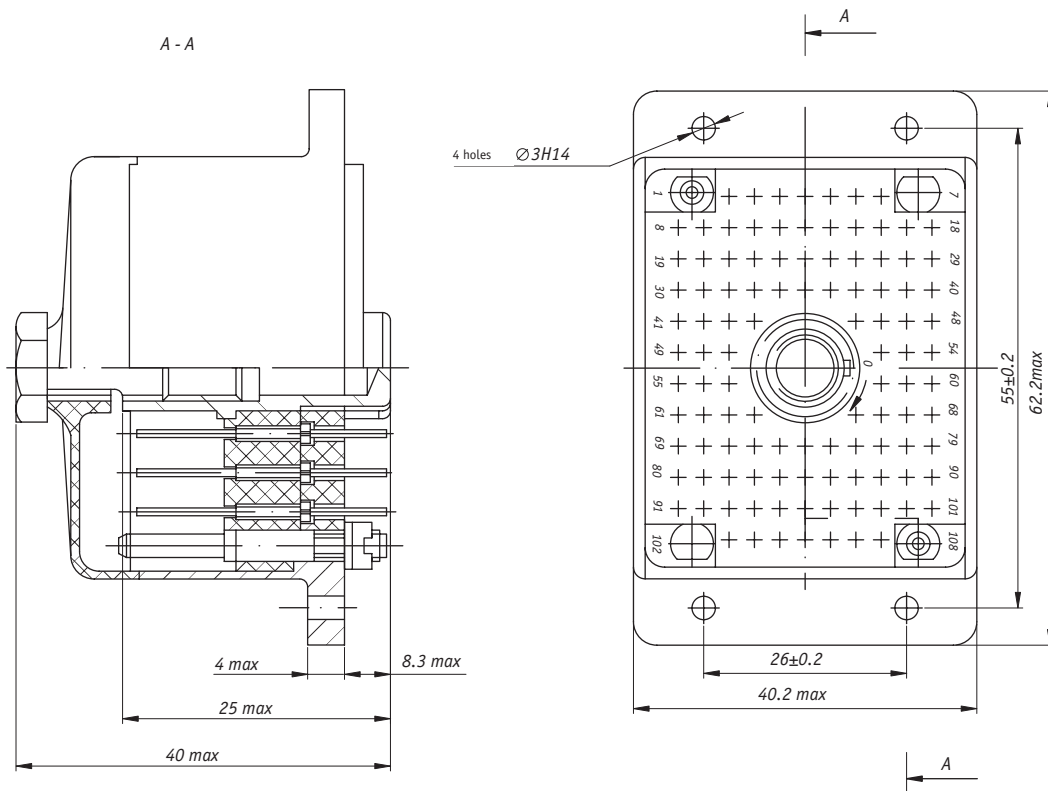


Figure 1 - Plug SNO48-108/62x40V-6-V
 - Plug SNO48-108/62x40V-6M-V

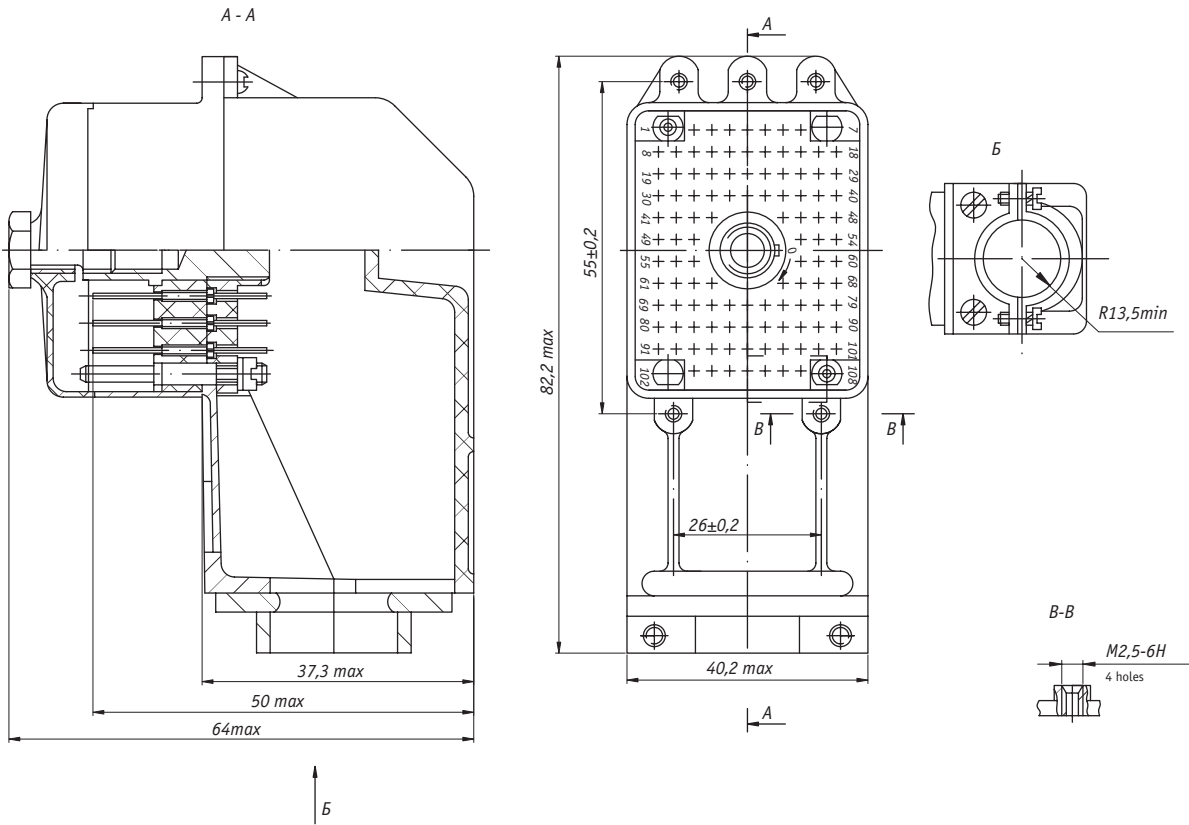


Figure 2 - Plug SNO48-108/82x40V-8-V
- Plug SNO48-108/82x40V-8M-V

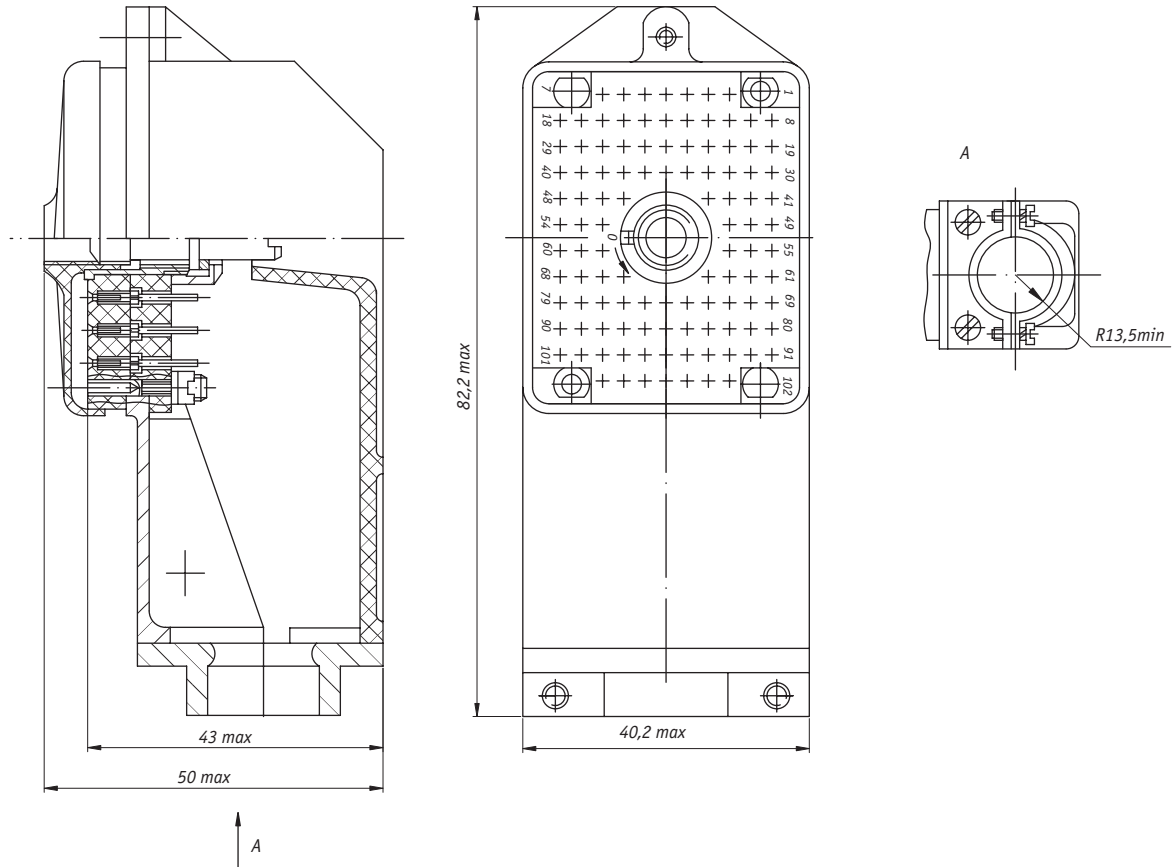


Figure 3 - Socket SNO48-108/82x40R-11-V
- Socket SNO48-108/82x40R-11M-V

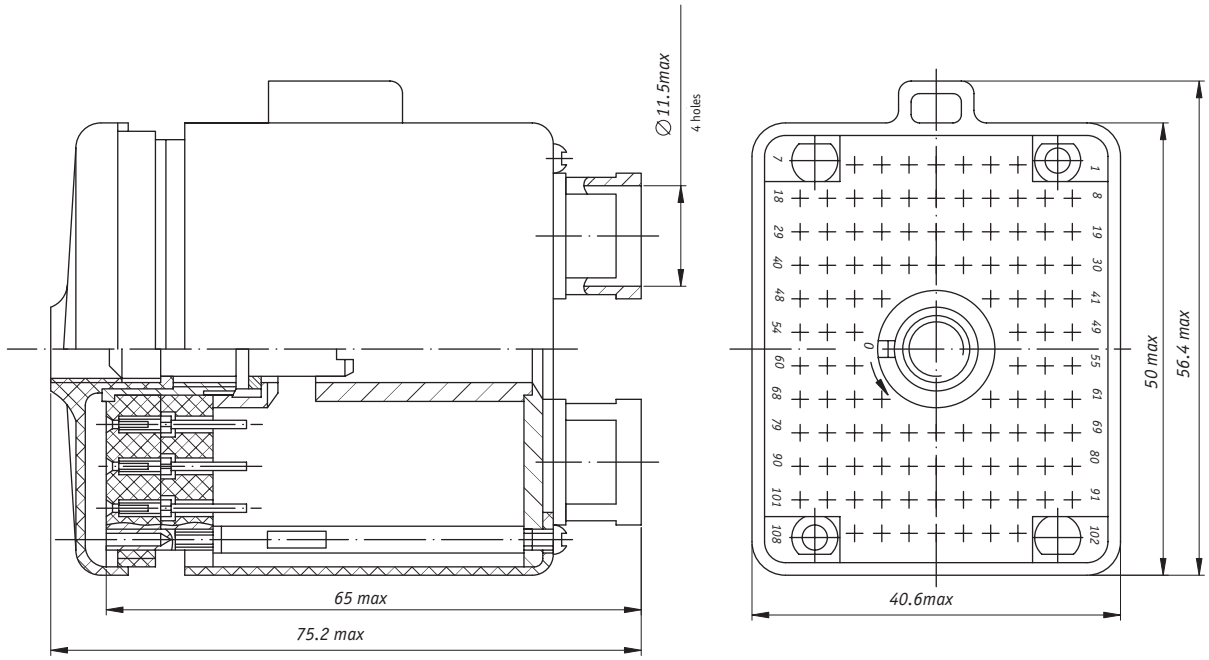


Figure 4 - Socket SNO48-108/55x40R-10-V
- Socket SNO48-108/55x40R-10M-V