



Application

They are used in radio electronic and radio engineering equipment as connectors of the general type

Standarts

GB0.485.011 Specification

Design description

- screw mating
- climatic version UHL
- air tight design of the modular portion of connector (air leakage is not more than 0,34 l/h)

- contacts plating: silver
- delivery with installed wire

PVMFO-5-S-0,50-4,0
Specification 16-505.287-81

Characteristics

Mechanical

vibration:

frequency range, Hz - 5...600
acceleration, m/s² - 120 (12g)

multiple impacts:

acceleration, m/s² - 1500 (150g)

linear loads:

acceleration, m/s² - 1000 (100g)

Reliability requirements

minimum operating time, h
500

with mate -unmate operations
500

minimum storage life
8 years

Electric

Direct current operation pressure, not more than

VVT5 - 5 kW
VVT10 - 10 kW
VVT20 - 20 kW

operating current across the contact, not more than
4,0 A

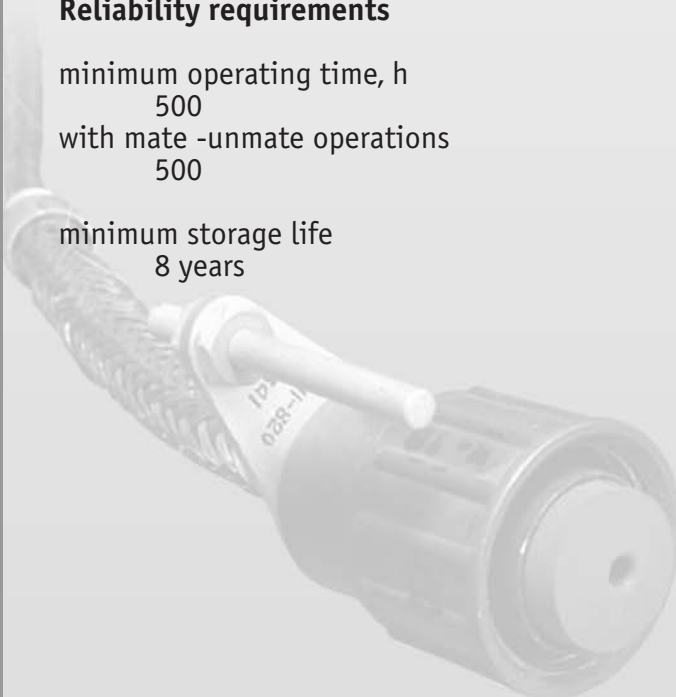
insulation resistance in normal climatic conditions, not less than
1000 MOhm

Climatic

ambient air temperature,
from minus 60 - to plus 125°C

temperature change,
from minus 60 - to plus 125°C

decrease of atmospheric pressure operating,
Pa (mm.Hg)
1,3x10⁻⁴ (10⁻⁶)



Designation

	VVT	10	B	G	-500
Type					
Operating voltage, kW 10 (5, 20)					
Design version of connector: B - modular (fixed) hermetic N - modular non-hermetic K - kable					
Type of contacts: SH - plug (male connector) G - socket (female connector) GSH - cable socket and cable plug, mounted simultaneously on the ends of wire					
Length of the wired wire					

The plugs and sockets are manufactured and delivered with wired wire. The wire length is set while placing the order. The minimum plug length with wired wire should not be less than 250 mm. The minimum length of the cable socket or cable plug, mounted simultaneously at the opposite ends of the wire should be for connectors VVT5GSH - 300 mm, VVT10GSH - 350 mm, VVT20GSH - 450 mm.

Designation while placing the order:

VVT20KG-500 GB0.485.011 Specification

VVT5NGF-1000 GB0.485.011 Specification

Design and dimensions of connectors are shown in the figures 1 - 5 and tables 1-5.

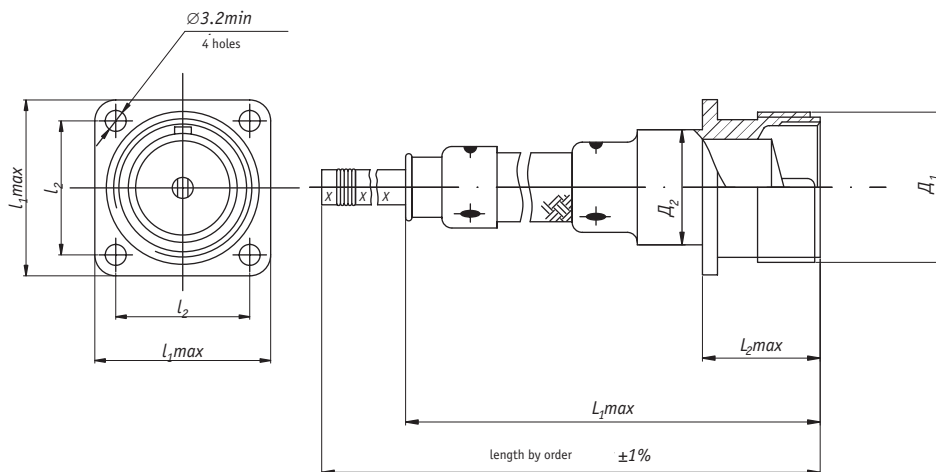


Figure 1 - Modular plug

Table 1

Connector design type	Dimensions, mm						*Weight, g, not more than
	D1	D2	L1	L2	l1	l2	
VVT5BSH VVT5NSH	M18x1-8h	14±0,13	108	25,6	23,15	17±0,1	30
VVT10BSH VVT10NSH	M20x1-8h	16±0,13	113	20,6	24,15	18±0,1	35
VVT20BSH VVT20NSH	M24x1,5-8h	19±0,15	143	20,6	30,2	24±0,1	45

*Weight is indicated without taking account of the wired wire, protruding beyond external dimensions of the plug

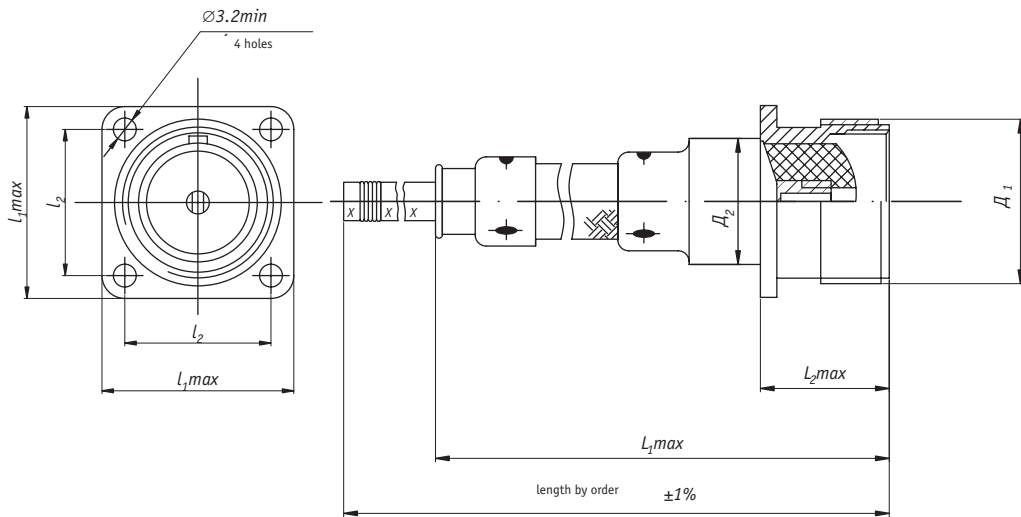


Figure 2 - modular socket

Connector design type	Dimensions, mm						*Weight, g, not more than
	D ₁	D ₂	L ₁	L ₂	l ₁	l ₂	
VVT5BG VVT5NG	M18x1-8h	14±0,13	108	25,6	23,15	17±0,1	30
VVT10BG VVT10NG	M20x1-8h	16±0,13	113	20,6	24,15	18±0,1	35
VVT20BG VVT20NG	M24x1,5-8h	19±0,15	143	20,6	30,2	24±0,1	45

*Weight is indicated without taking account of the wired wire, protruding beyond external dimensions of the socket

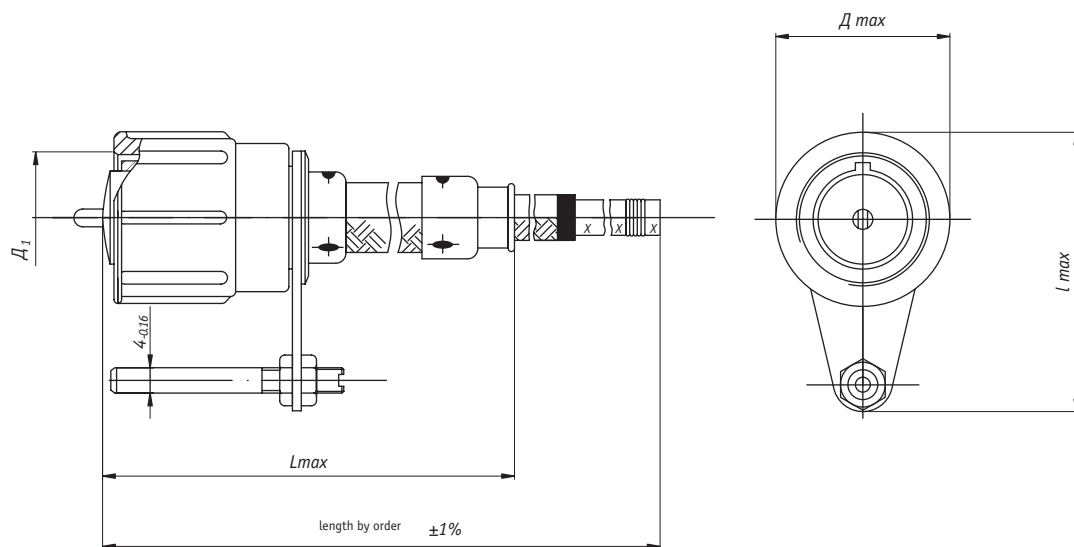


Figure 3 - Cable plug

Table 3

Connector design type	Dimensions, mm				*Weight, g, not more than
	D ₁	D ₂	L	l	
VVT5KSH	M18x1-7H	23,5	88	43	45
VVT10KSH	M20x1-7H	25,5	108	44	60
VVT20KSH	M24x1,5-7H	29,5	138	47	70

*Weight is indicated without taking account of the wired wire, protruding beyond external dimensions of the plug

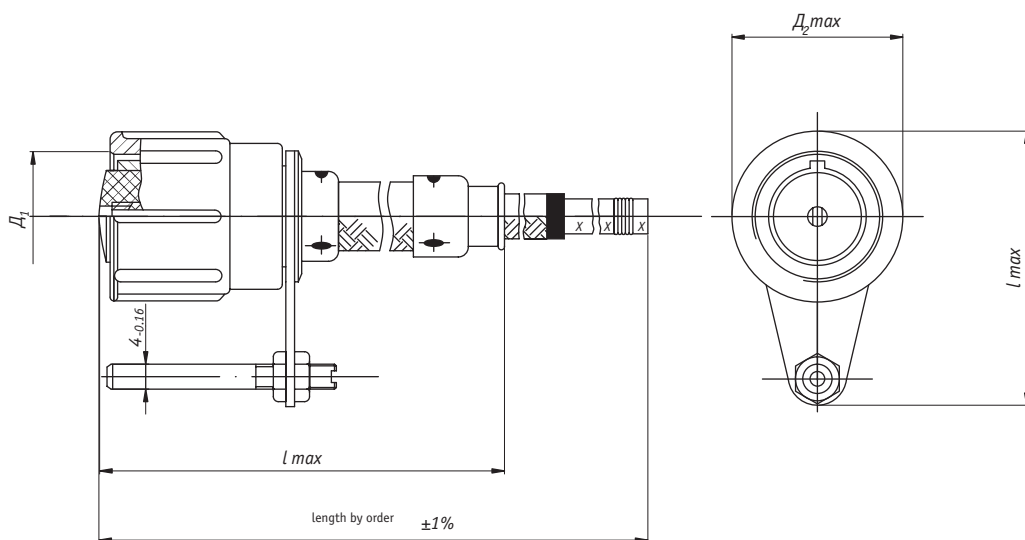


Figure 4 - Cable socket

Table 4

Connector design type	Dimensions, mm				*Weight, g, not more than
	D ₁	D ₂	L	l	
VVT5KG	M18x1-7H	23,5	88	43	45
VVT10KG	M20x1-7H	25,5	108	44	60
VVT20KG	M24x1,5-7H	29,5	138	47	70

*Weight is indicated without taking account of the wired wire, extending beyond external dimensions of the socket

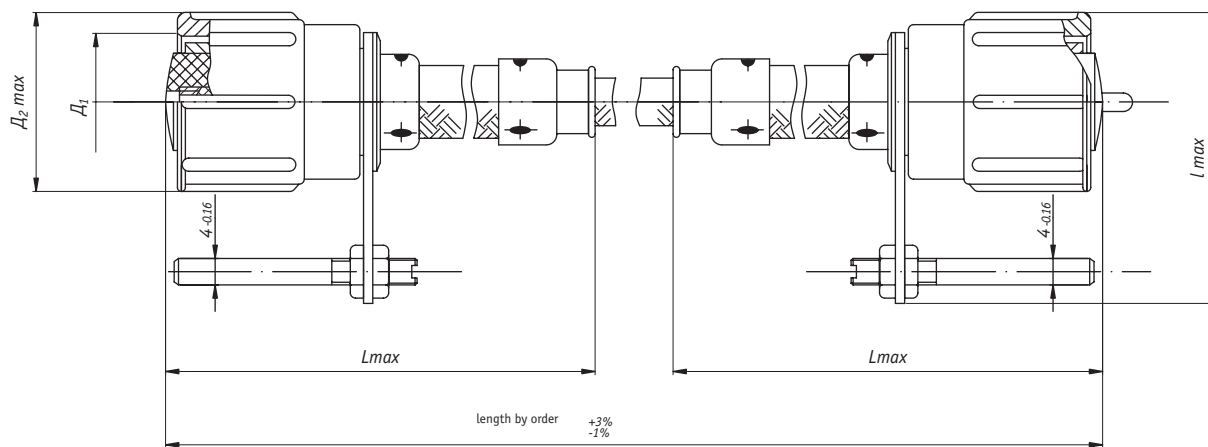


Figure 5 - Cable socket and cable plug mounted simultaneously on the opposite ends of the wire

Table 5

Connector design type	Dimensions, mm				*Weight, g, not more than
	D ₁	D ₂	L	l	
VVT5GSH	M18x1-7H	23,5	88	43	90
VVT10GSH	M20x1-7H	25,5	108	44	120
VVT20GSH	M24x1,5-7H	29,5	138	47	140

*Weight is indicated without taking account of the wired wire, extending beyond external dimensions of the plug (socket)